

ARS-11**ARS-22B****Description**

The ARS Analog Router/Switcher Series provides electronic switching for multiple audio sources in a single rack space. An ARS unit may function as a stand-alone audio routing switcher, or as the source selector in an interactive system for aural and visual monitoring of multiple audio sources.

Balanced or single-ended inputs are accepted on phoenix style, plug-in, screw clamp terminal blocks. Outputs are on balanced 3-pin XLR connectors.

The ARS Series is ideally suited for use in broadcast, recording, corporate and industrial video, satellite link facilities, and commercial sound applications.

Features

LED indication of selected channel(s)

Space-saving 1RU

Solid state CMOS switching

Single or multiple (mixed) channels can be selected.

Benefits

Comprehensive system application in conjunction with Wohler AMP Series monitors and LM Series multiple source level metering.

Tactile switches offer radio button style single channel selection with the additional flexibility of multiple channel selection.

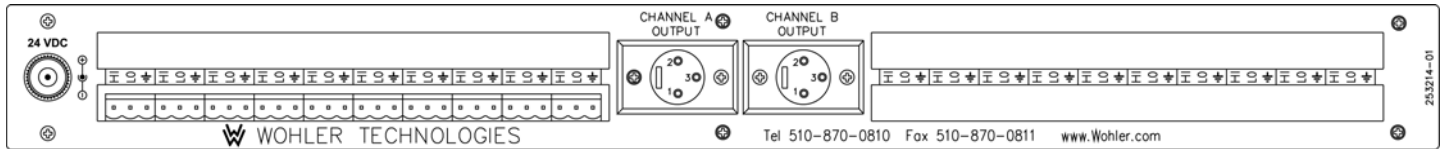
Order Part Number

ARS-11: 8120-0010

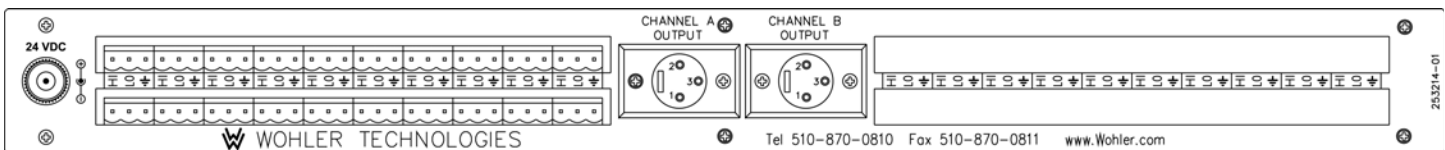
ARS-22B: 8120-0030

Rear Panel

ARS-11



ARS-22B



Physical Specifications

Dimensions (H x W x D)	1.75 x 19 x 6 inches (44.5 x 483 x 149 mm)
Shipping weight	8 lbs. (3.63 kg)
Space requirements	1RU in a standard 19" rack
Supplied accessories	AC external power unit/cord
Power requirements	Power to the unit is 100 to 240 VAC \pm 10%, 50/60Hz.

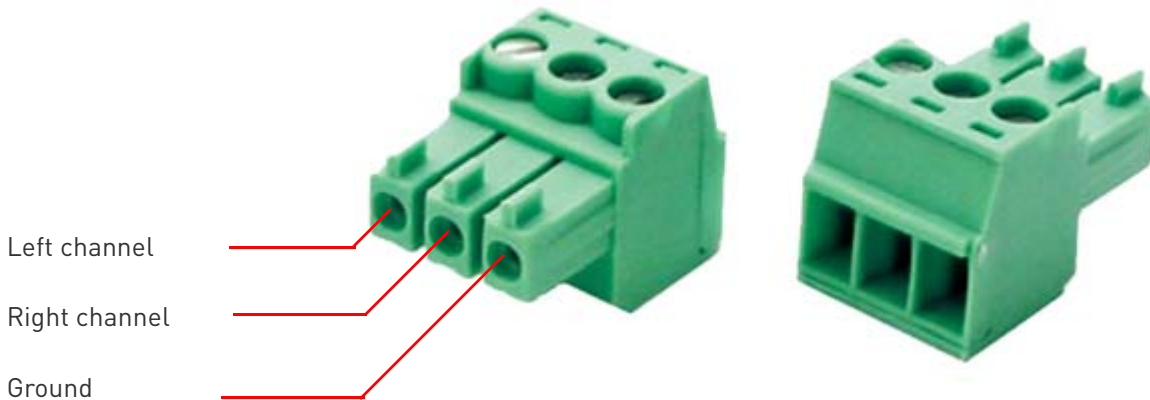
Inputs and Outputs

Connectors	ARS-11	ARS-22B
Inputs	5 stereo analog pairs (Phoenix)	10 stereo analog pairs (Phoenix)
Outputs	2 analog audio on XLR (left & right)	

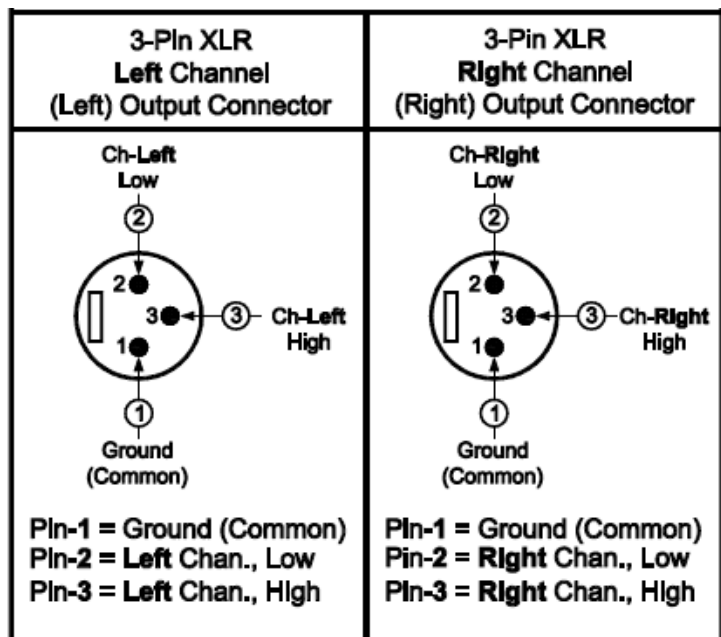
Technical Specifications

Input impedance	40 k Ω balanced
Input level (maximum)	+26 dBv
Crosstalk	-65 dB
Distortion	< 0.05%
Frequency response	\pm .5 dB 20 Hz - 20 kHz
Noise	-65 dB
Maximum output	+20 dBv into 600 Ω

Phoenix Input Connectors

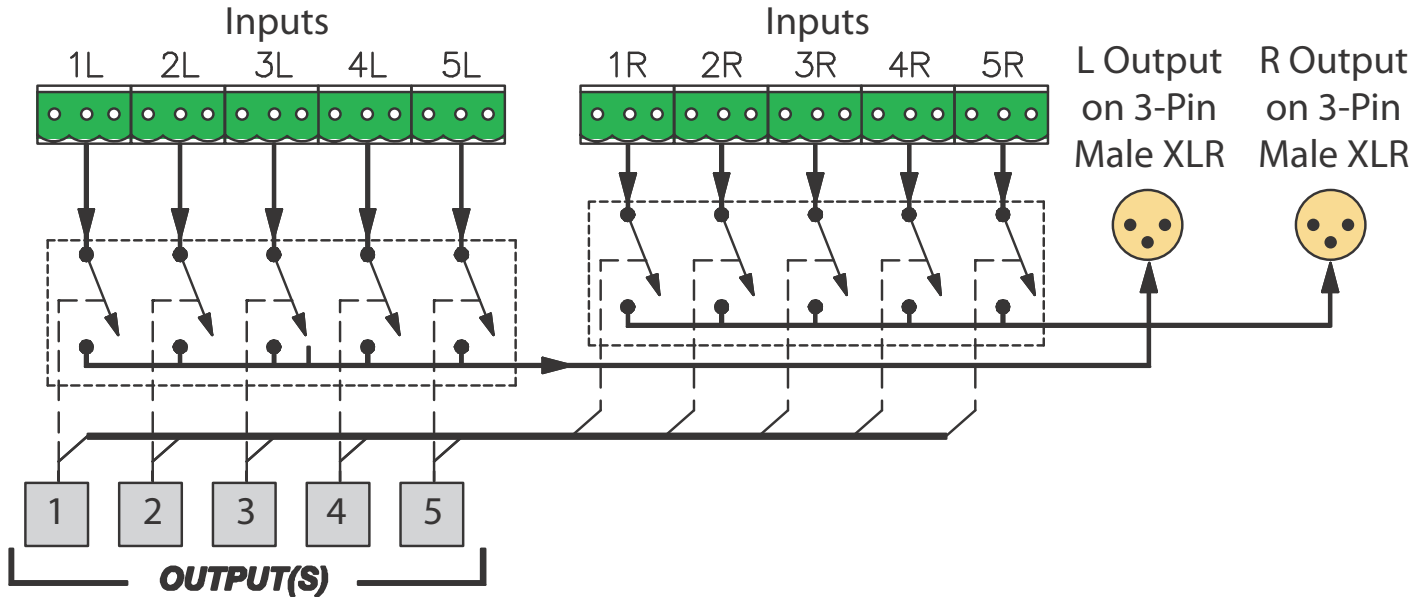


XLR Output Connectors

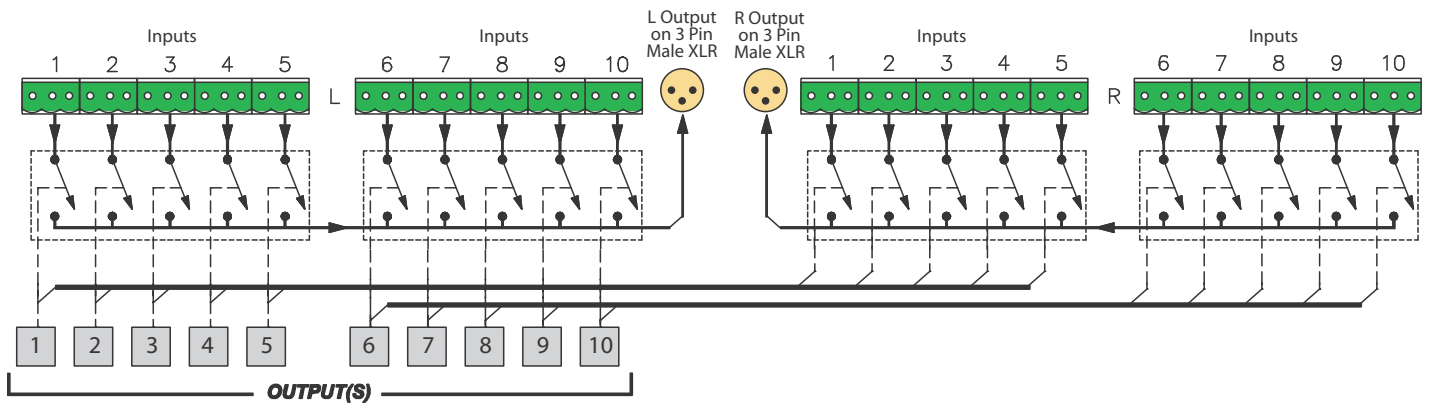


Block Diagram

ARS-11



ARS-22B



Contact

Wohler Technologies, Inc.
 31055 Huntwood Avenue
 Hayward, CA 94544 USA
 +1 888 5 WOHLER (Toll Free)
 +1 510 870-0810
 +1 510 870-0811 (fax)

Wohler Europe
 +33 970 440 253
 +33 1 77 72 59 99 (fax)
 sales@wohler.com
 www.wohler.com

Wohler Asia
 1704 Lucky Commercial Center
 103 Des Voeux Road West
 Sheung Wan, Hong Kong
 +852 2851 8325
 +852 2850 8182 (fax)