



## Description

The RM Series is a low cost range of in-rack HD/SD-SDI and CVBS video monitors ideal for the many feeds in mobile trucks, news and transmission control rooms, duplication, and postproduction applications.

These tilting monitors come standard with in-monitor level metering, selectable video waveform and vectorscope, safe and title markers, labeling, tally,

## Features

In-picture level metering

In-picture video waveform and vectorscope display

Labelling, tally, timecode and detected video format display

Safe and title markers

Classic CRT-style image calibration controls

Built-in color bars

## Benefits

Each HD/SD-SDI input has a re-clocked loop through output.

User button can be configured as a hot key for either color bars, area marker, H/V delay, or other in-screen feature.

timecode and video format, and built-in color bars, as well as familiar CRT-style picture controls and an intuitive on-screen configuration menu.

The RM-2435-HD is a 2RU monitor with three 4:3 screens, speakers, single inputs, and re-clocked outputs.

Headphone output

User-defined function buttons

Intuitive on-screen menu

Light weight, low profile, vertically tilting chassis design

User and Enter buttons can be configured as hot keys

Level meters can display VU, PPM (PK) or both with assignable -22 dB to -18 dB level.

Enter key can be configured as a hot key for brightness, contrast, saturation, or other video control.

---

## Order Part Number

RM-2435-HD: 8001-0080



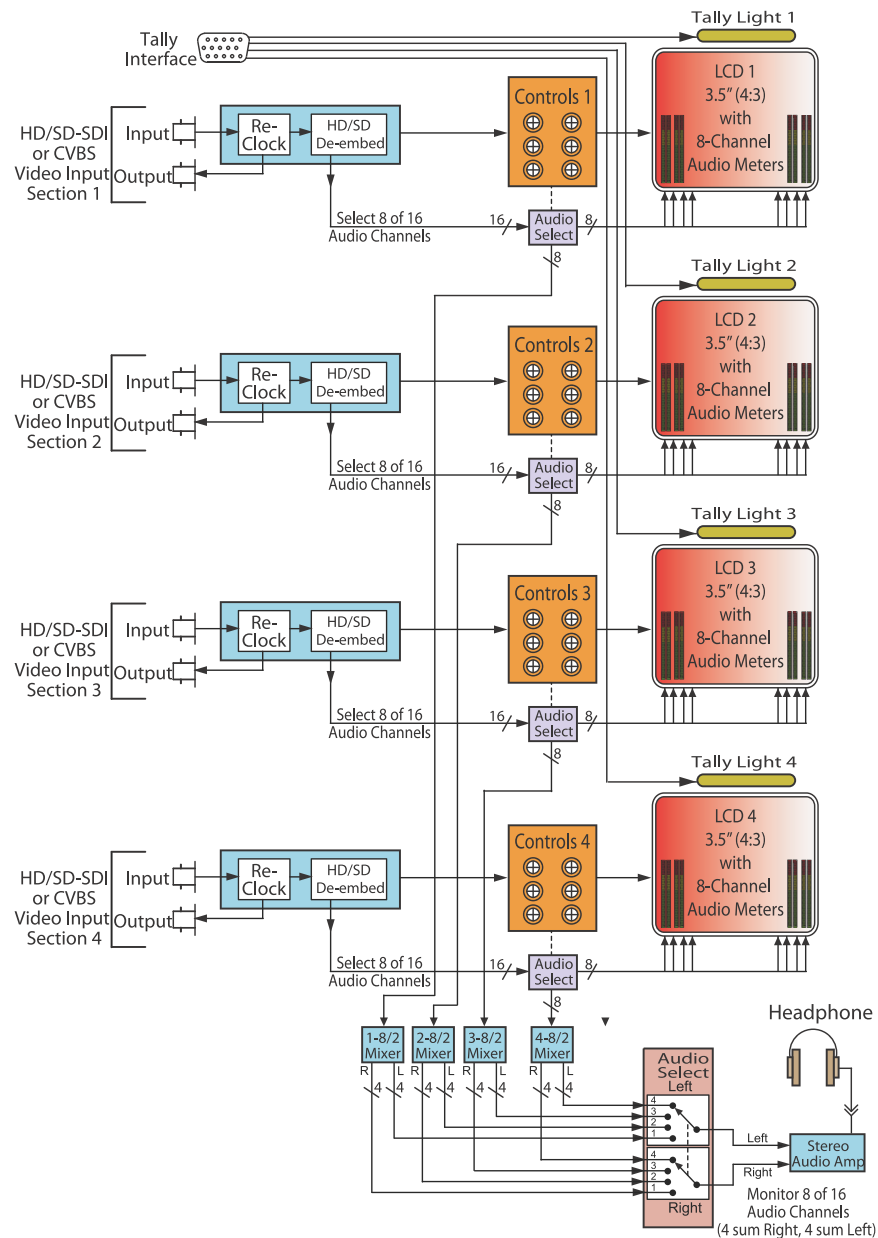
## Physical Specifications

<b>Dimensions (H x W x D)</b>	19" x 3.5" x 2.2" (486 x 89 x 56 mm)
<b>Shipping weight</b>	8 lbs (3.63 kg)
<b>Space requirements</b>	2RU in a standard 19" rack
<b>Supplied accessories</b>	AC power adapter
<b>Power connector</b>	Attached external power unit plugs into standard U.S. outlet. Alternate power cables are available.
<b>Power requirements</b>	Power to the unit is 12V DC, 1 to .5 A. The external power unit then connects to mains power (100 to 240 VAC ± 10%, 50/60Hz).
<b>Power consumption</b>	100 to 240 V AC to 12 V DC (CE & UL)
<b>Operating temperature</b>	0°C (32°F) to 40°C (104°F)

## Technical Specifications

<b>Inputs (per screen)</b>	1 HD/SD-SDI on BNC
<b>Outputs (per screen)</b>	1 HD/SD-SDI relocked on BNC
<b>Additional rear panel controls</b>	1 Tally on DB-9 2 RS-485 connectors (reserved for future use)
<b>Video format</b>	NTSC/PAL auto recognition
<b>Number of screens</b>	4 3.5"
<b>Native aspect ratio</b>	4:3
<b>Display Type</b>	Active color matrix amorphous LCD TFT screens
<b>Screen treatments</b>	Anti-glare 4H hardness
<b>Active viewing area</b>	6.102" H x 3.43" V (155.00 mm H x 87.12 mm V)
<b>Resolution</b>	640 x 480
<b>Screen colors</b>	262,000
<b>Dot pitch</b>	0.1125 x 0.1095
<b>Pixel response</b>	< 40 ms Off-On-Off (Black to White to Black)
<b>Luminance</b>	400 cd/m <sup>2</sup>
<b>Contrast</b>	350:1
<b>Viewing angle</b>	100°H x 50°V
<b>Chromacity</b>	72% CIE 1931 color gamut
<b>Color temperature</b>	D65

## Block Diagram



## Contact

Wohler Technologies, Inc.  
 31055 Huntwood Avenue  
 Hayward, CA 94544 USA  
 +1 888 5 WOHLER (Toll Free)  
 +1 510 870-0810  
 +1 510 870-0811 (fax)

Wohler Europe  
 +33 970 440 253  
 +33 1 77 72 59 99 (fax)  
 sales@wohler.com  
 www.wohler.com

Wohler Asia  
 1704 Lucky Commercial Center  
 103 Des Voeux Road West  
 Sheung Wan, Hong Kong  
 +852 2851 8325  
 +852 2850 8182 (fax)