

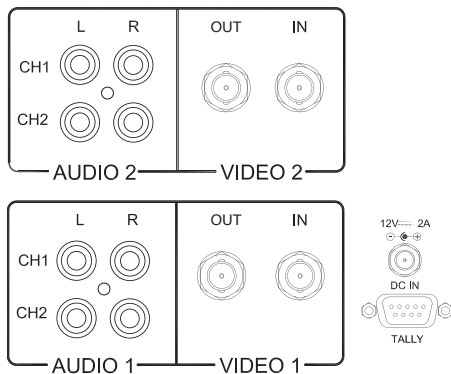
RM-3270W-HD

Dual 7" HD/SD-SDI Video Monitor



Full feature set, cost effective, reliable dual 7" video monitor with in-screen audio level meters, vectorscope, and waveform

Rear Panel



The RM Series is a highly-featured, low-cost range of in-rack HD/SD-SDI and CVBS video monitors ideal for the many feeds in mobile trucks, news and transmission control rooms, duplication, and post production applications.

These tilting monitors come standard with in-monitor level metering, selectable video waveform and vectorscope, safe and title markers, labeling, tally, timecode, video format, and built-in color bars, and an intuitive on-screen configuration menu.

Input signals are automatically detected and up to 8 of the 16 audio channels embedded in an HD/SD-SDI bitstream may be selected for visual monitoring on 8 on-screen bar graph style level meters on the HD and 2HD models. A headphone jack or speakers provides audible stereo monitoring of selected left and right channels.

Each of the two high-resolution LCD screens display high-definition or standard-definition video at either 16:9 or 4:3 aspect ratio. Parameters are selected and adjusted using an on-screen display menu.

Benefits:

- User defined hot key functionality provides either H/V delay, underscan, on-screen display, and more
- On-screen level meters provide confidence audio monitoring
- Tally and on-screen labeling provide quick and easy signal identification
- CRT-style image controls allow video image enhancement for each screen individually

Features:

- In-picture level metering, waveform, and vectorscope display
- Labelling, tally, timecode, detected video format, safe and title markers display
- Gamma color calibration
- Built-in color bars
- User-defined function buttons
- Intuitive on-screen menu
- Headphone output

ORDER PART #8001-0060



Wohler
CONFIDENCE



VIDEO

AUDIO

CAPTIONING

LOUDNESS

info@wohler.com

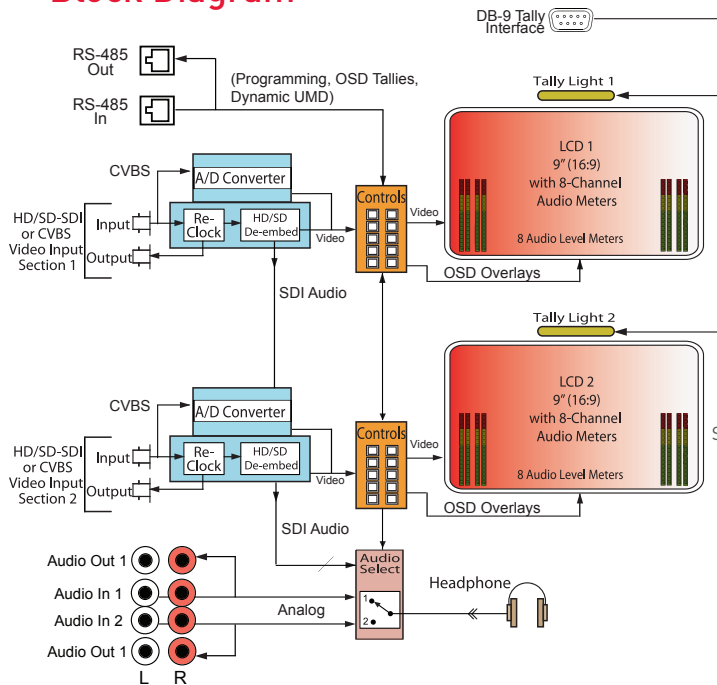
www.wohler.com

+1 888 5 WOHLER

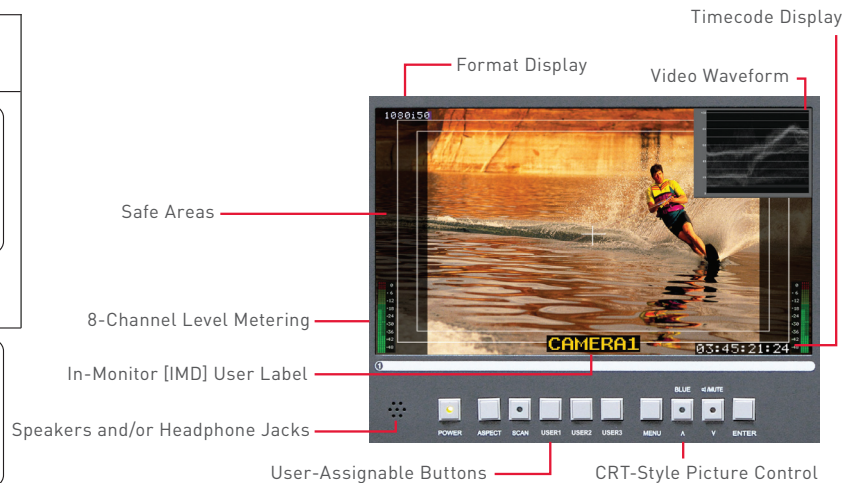
RM-3270W-HD

Dual 7" HD/SD-SDI Video Monitor

Block Diagram



RM Series In-screen Features



Inputs

- 2 Auto-Sensing HD/SD-SDI, CVBS Inputs on BNC (1 per screen)
- 2 RCA Analog Audio Stereo Input Pairs (1 per screen)

Outputs

- 2 HD/SD-SDI, CVBS Outputs on BNC (1 per screen)
- 2 RCA Analog Audio Stereo Output Pairs
- 1 Headphone

Specifications

[View complete list of specifications online at wohler.com](http://www.wohler.com)

Dimensions (H x W x D)	19.1" x 5.25" x 2.6" (486 mm x 133 mm x 67 mm)
Shipping Weight / Net Weight	9 lbs (4.1 kg) / 6 lbs (2.7 kg)
Space Requirements	3RU in a standard 19" rack
Accessories Included	AC power cord
Power Connector	Power cord plugs into standard U.S. outlet, Alternate 12V power cables are available
Power Requirements	Power to the unit connects to mains power (100 to 240 VAC ± 10%, 50/60Hz)
Power Consumption	10W
Display Type	Active color matrix amorphous 7", LCD TFT screens
Display Size	7" Diagonal
Aspect Ratio	16:9 native 4:3 selectable
Active Viewing Area	6" H x 3.46" V (152 mm H x 88 mm V)
Resolution	800 x 480
Luminance	350 cd/m ²
Colors	16.7 million
Contrast	300:1
Pixel Pitch	0.191 mm X 0.191 mm
Pixel response	<25 ms off-on-off (black to white to black)

Wohler USA Headquarters
 Wohler Technologies, Inc.
 31055 Huntwood Avenue
 Hayward, CA 94544
 Phone: +1 510 870 0810
 Fax: +1 510 870 0811
 Email: sales@wohler.com

Wohler Asia
 Wohler Technologies, Inc.
 1704 Lucky Commercial Centre
 103 Des Voeux Road West
 Sheung Wan, Hong Kong
 Phone: +852 2851 8325
 Fax: +852 2850 8182
 Email: salesasia@wohler.com

Wohler Europe
 Wohler Technologies, Inc.
 Les Perrettes
 26120 Barcelonne
 France
 Phone: +33 970 440 253
 Fax: +33 1 77 72 59 99
 Email: saleseurope@wohler.com

Wohler UK
 453 Stroude Road
 Virginia Water
 Surrey GU25 4BU
 United Kingdom
 Phone: +44 (0) 2081 236 658
 Fax: +44 (0) 208 181 6500
 Email: salesUK@wohler.com