

RMT-150-SD

15" Dual SD-SDI Input Video Monitor



Full feature set, cost effective, reliable 15" SD-SDI video monitor with in-screen audio level meters

The RMT-150-SD monitor is an ideal solution for viewing analog or SDI video and computer input. Perfect for the many feeds in mobile trucks, news and transmission control rooms, duplication, and post production applications. Using TFT/LCD screens, a perfect medium is reached in the scaling and interpolation process, providing superb imaging regardless of video format.

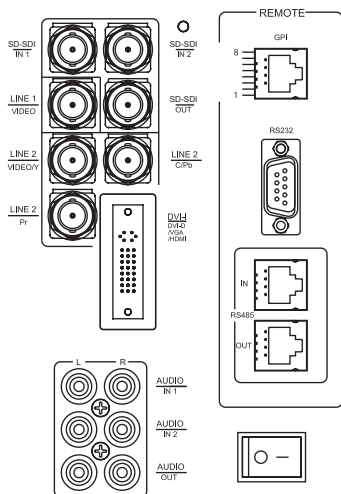
This monitor comes with many in-monitor display features including in-screen labeling, tally, format display, and safe area/title display markers.

The RMT-150-SD also provides a host of audio tools including level metering and built-in speaker monitoring of its dual stereo analog inputs or SDI embedded audio.

Benefits:

- On-screen level meters provide confidence audio monitoring
- Tally and on-screen labeling provide quick and easy signal identification
- CRT-style image controls allow video image enhancement for each screen individually

Rear Panel



Features:

- In-picture level metering
- Labeling, tally, and detected video format display
- Safe and title markers
- Gamma color calibration
- Headphone and speaker outputs

ORDER PART

RMT-150-SD: #8001-0210 (Includes Table Top Kit)

Rack Mount Kit: #790015 (rack mount frame)

VESA Mount Kit: #760040 (to add tilt/swivel in the rack frame)



VIDEO



AUDIO



CAPTIONING



LOUDNESS

info@wohler.com

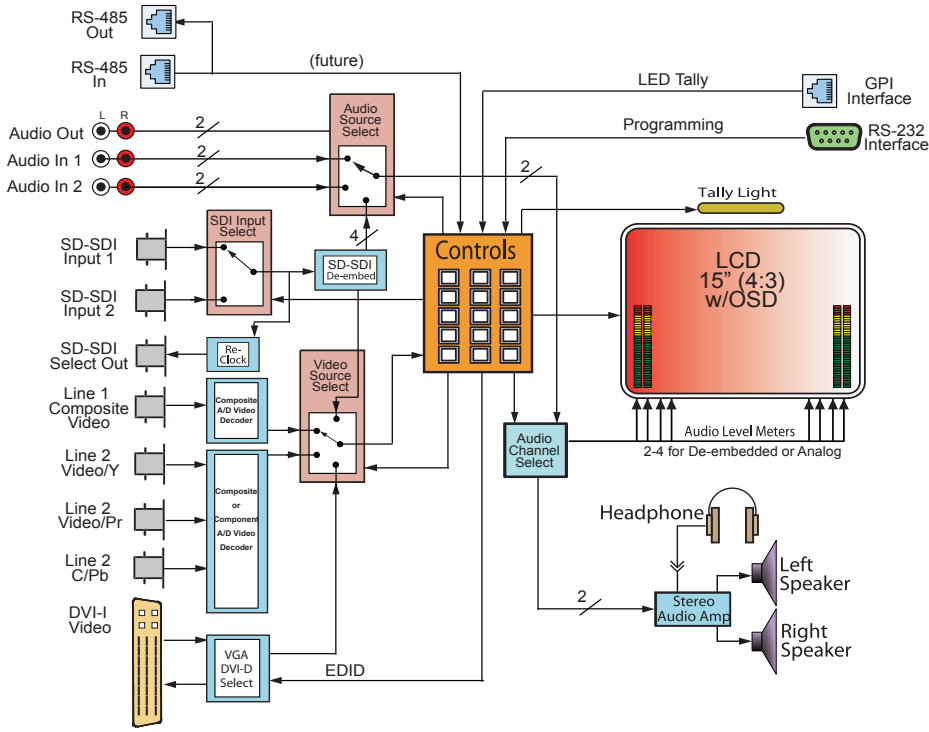
www.wohler.com

+1 888 5 WOHLER

RMT-150-SD

15" Dual SD-SDI Input Video Monitor

Block Diagram



Inputs

- 2 SD-SDI
- 1 Composite CVBS
- 1 Component (Y/C & YPbPr)
- 1 DVI-I/DVI-D/VGA
- 2 RCA Analog Audio Stereo Input Pairs

Outputs

- 1 Reclocked SD-SDI
- 1 RCA Analog Audio Output Pair
- 1 Headphone

Specifications

[View complete list of specifications online at wohler.com](http://www.wohler.com)

Dimensions (H x W x D)	12.25" x 4.2" x 4.5" (311.2 mm x 106.7 mm x 114.3 mm)
Shipping Weight / Net Weight	16 lbs (7.26 kg) / 12 lbs (5.4 kg)
Space Requirements	6RU / 7RU with Rack Kit in a standard 19" rack
Accessories Included	AC power cord
Power Connector	Power cord plugs into standard U.S. outlet, Alternate 12V power cables are available
Power Requirements	Power to the unit connects to mains power (100 to 240 VAC ± 10%, 50/60Hz)
Power Consumption	40W
Display Type	Active color matrix amorphous 15", LCD TFT screen
Display Size	15" Diagonal
Aspect Ratio	4:3
Active Viewing Area	12.0" H x 9.0" V (304 mm H x 228 mm V)
Resolution	1024 x 768
Luminance	350 cd/m ²
Colors	16.7 million
Contrast	600:1
Pixel Pitch	0.297 mm H x 0.297 mm Y
Pixel Response	<8ms off-on-off (black to white to black)

Wohler USA Headquarters
 Wohler Technologies, Inc.
 31055 Huntwood Avenue
 Hayward, CA 94544
 Phone: +1 510 870 0810
 Fax: +1 510 870 0811
 Email: sales@wohler.com

Wohler Asia
 Wohler Technologies, Inc.
 1704 Lucky Commercial Centre
 103 Des Voeux Road West
 Sheung Wan, Hong Kong
 Phone: +852 2851 8325
 Fax: +852 2850 8182
 Email: salesasia@wohler.com

Wohler Europe
 Wohler Technologies, Inc.
 Les Perrettes
 26120 Barcelonne
 France
 Phone: +33 970 440 253
 Fax: +33 1 77 72 59 99
 Email: saleseurope@wohler.com

Wohler UK
 453 Stroude Road
 Virginia Water
 Surrey GU25 4BU
 United Kingdom
 Phone: +44 (0) 2081 236 658
 Fax: +44 (0) 208 181 6500
 Email: salesUK@wohler.com