

VAMP2-SDA



VAMP2-MDA



## Description

The VAMP2 series offers the ability to monitor both audio and video from two selectable SDI digital and two composite analog video sources in a space-saving 2RU unit.

Two pairs of auxiliary AES inputs and eight analog audio inputs are also included for applications that don't use embedded audio. The built-in color LCD screen allows confidence monitoring of video from either the SDI input or composite analog video inputs. Also included is a composite video monitor output from the selected SDI source for use with larger, external video monitors.

## Features

Self-powered speaker system

2 SDI and 2 composite video inputs

The analog audio section features four channels and level meters; any of the four channels may be selected independently and sent to the two channel speaker system, headphone output, and phase indicator. The VAMP2 Series monitors are capable of independent monitoring of each audio track and is a useful tool for converting and demuxing digital signals.

These units are ideal for broadcast facilities needing confidence-level audio/video monitoring where operator-convenient rack space is at a premium.

SDI to RGB/YUV video output

Convenient front panel SDI audio group select control

## Order Part Number

VAMP2-SDA: 8003-0050 (Analog, AES, SD-SDI)

VAMP2-MDA: 8003-0030 (Analog, AES, HD/SD-SDI)

Two groups of 2 AES/EBU or two groups of 4 analog audio inputs

Headphone jack mutes speakers

Requires only 2RU

**Benefits**

53-segment tri-color LED level meters show VU & PPM simultaneously.

De-embeds any selected audio group from SDI to AES/EBU digital and analog outputs

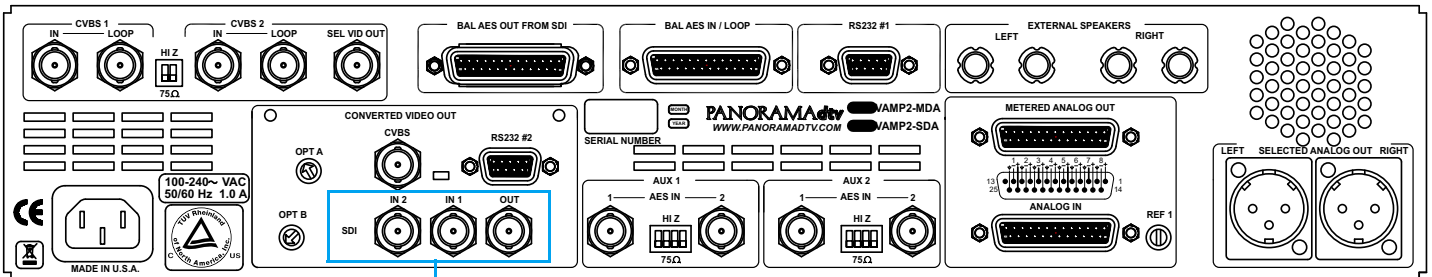
Converts SDI to analog composite video output.

4" color LCD video screen auto-detects NTSC/PAL.

Internal or external speaker switch (no amplifier needed)

Low power consumption

**Rear Panel**



VAMP2-SDA: SD-SDI (only)  
VAMP2-MDA: HD/SD-SDI

**Physical Specifications**

Specification	VAMP2-SDA	VAMP2-MDA
Dimensions (H x W x D)	3.5" x 19" x 9.5" (89 mm x 483 mm x 241 mm)	
Shipping weight	16 lbs (7.26 kg)	
Space requirements	2RU	
Supplied accessories	AC power cord	
Power requirements	power to the unit is 100 to 240 VAC ± 10%, 50/60Hz.	
Power consumption	50 W	
Magnetic shielding	<1 Gauss any adjacent surface	
Speaker amp power output	20 W Transient/ 11 W Continuous RMS each side (4 Ω)	
Peak acoustic output at 2 ft.	96 dB SPL	
Output	10 W RMS (4 Ω), left and right, 14W peak	

## Inputs and Outputs

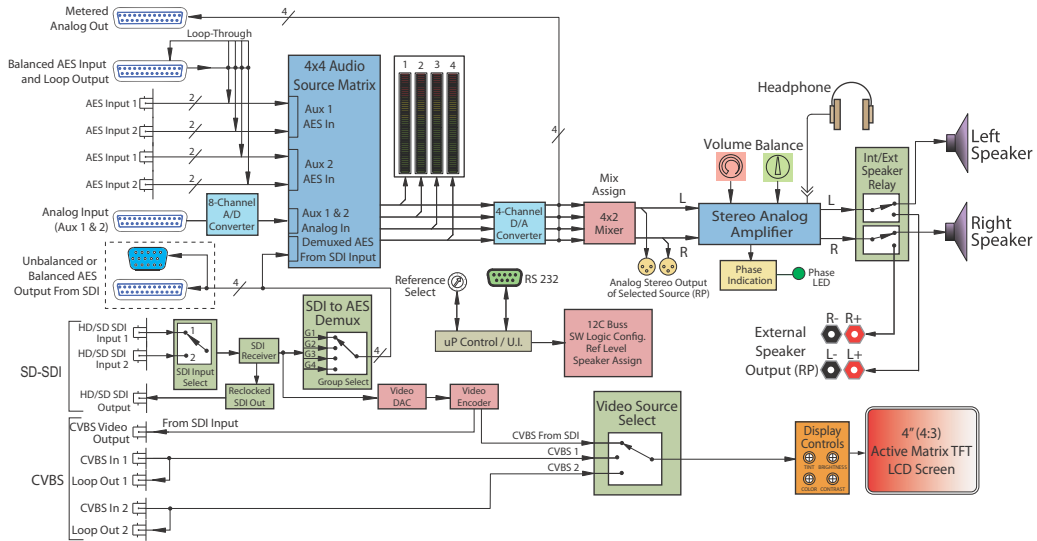
Connectors	Type	VAMP2-SDA	VAMP2-MDA
Inputs	Video	2 SD/SDI on BNC 2 CVBS on BNC	2 HD/SD-SDI on BNC 2 CVBS on BNC
	Audio	2 Banks of 4 analog on DB-25 2 Banks of 2 AES on BNC 2 Banks of 2 Balanced AES on DB-25	
Outputs	Video	1 Selected Video on BNC 1 CVBS from SDI on BNC 2 CVBS Loop on BNC	
	Audio	4 on Balanced AES from SDI on HD-15 2 Speakers on Terminal Posts	

## Technical Specifications

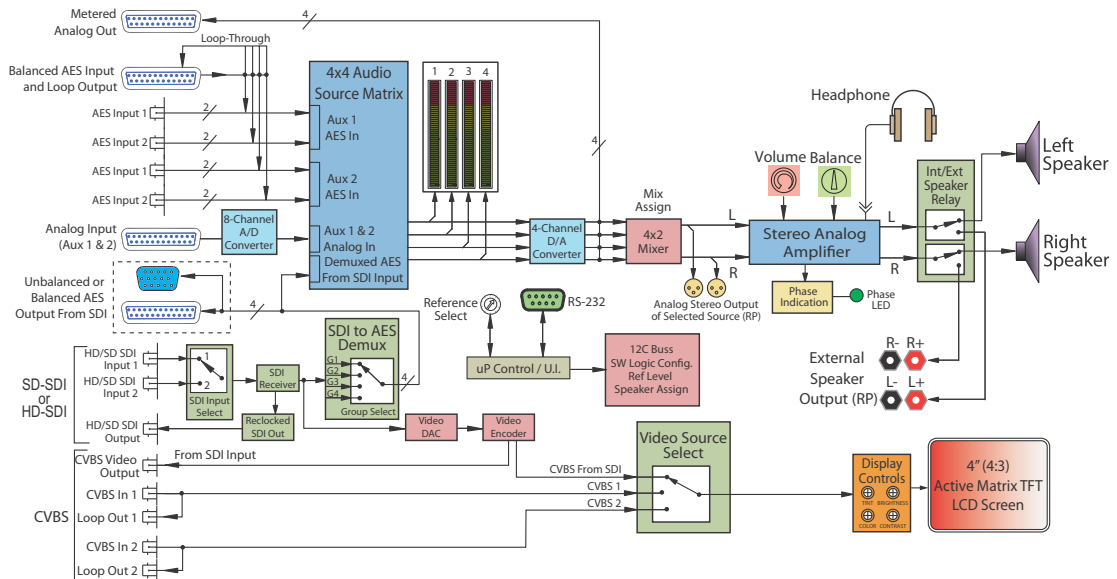
Specification	VAMP2-SDA	VAMP2-MDA
CVBS signal input type/formats	NTSC/PAL auto-detecting • NTSC 525/60 or PAL 625/50	
Screen type/size (diagonal)/aspect	4" (96 x 76 x 6.5 mm) High-resolution LCD, active matrix TFT • 4:3	
Display image controls	Brightness, Chroma, Tint (NTSC only) and Contrast	
Active area (H x V)	3.23" H x 2.43" W (82.1 mm x 61.8 mm)	
Resolution (dots x lines)/(pixels x lines)	1440 W x 234 V • 480 H x 234 V	
Pixel format/pitch	1 Pixel = R+ G + B dots • 0.171 mm W x 0.264 mm H	
Pixel response time	15 ms rising; 20 ms falling (typical)	
Number of colors/configuration	262,000 • RGB Delta	
Viewing angle	Top=10°, Bottom=30°, Left=45°, Right=45°	
Contrast ratio (typical)	150	
Backlight type/life	LED • 10,000 hours	
Converted analog output (THD)	<0.008%	
Digital reference	-20, -18, or -9 dBu	
AES input sampling rate	32 to 48 kHz, auto-select	
AES D to A converter	24-bit, low jitter	
AES termination (removable)	110 $\Omega$ balanced; 75 $\Omega$ unbalanced	
Frequency response (6th Octave)	80 Hz to 16 kHz, ( $\pm$ 7 dB -10 dB @ 50 Hz, 22 kHz)	
Hum and noise	> -68 dB below full output	
Electrical response	20 Hz to -20 kHz ( $\pm$ 1 dB)	
Analog input impedance	27k $\Omega$ balanced, minimum	

### Block Diagrams

VAMP2-SDA



VAMP2-MDA



### Contact

Wohler Technologies, Inc.  
 31055 Huntwood Avenue  
 Hayward, CA 94544 USA  
 +1 888 5 WOHLER (Toll Free)  
 +1 510 870-0810  
 +1 510 870-0811 (fax)

Wohler Europe  
 +33 970 440 253  
 +33 1 77 72 59 99 (fax)  
 sales@wohler.com  
 www.wohler.com

Wohler Asia  
 1704 Lucky Commercial Center  
 103 Des Voeux Road West  
 Sheung Wan, Hong Kong  
 +852 2851 8325  
 +852 2850 8182 (fax)