

VMMDA-1



VMDA-4



Description

The VM Series, from our line of “confidence plus” audio monitors are very compact and light, digital and analog audio monitors at very cost effective prices. The single-rack space monitors offer excellent full-range fidelity far exceeding that of competitive units. Two front-firing midrange tweeter speakers and a compact high-performance woofer are arranged in Wohler Technologies’ popular bi-amp design. All Wohler speaker systems are protected against blow-out by limiters. The summed bass feature is important for audible detection of “out of phase” conditions.

Electronic rather than acoustic cancellation of bass frequencies provides positive audible detection of out-of-phase (reversed polarity) audio feeds. The units

feature 2 ten-segment VU LED bar graph level meters. Fast and averaging “phase” LEDs give visual alert of “out of phase” conditions. A three-way toggle switch selects between the analog or digital inputs. Muting may also be activated from a switch remote from the rear panel (optional extra). An auxiliary analog output of the selected analog or digital source is provided on the rear panel.

The VM Series monitors are completely magnetically shielded to allow interference-free operation immediately adjacent to all CRT video monitors. The light weight and shallow depth chassis compared to similar type units, make them ideal for use in portable and mobile vehicle applications.

Features

Only 1 RU

Powerful 96dB SPL at 2 feet (0.6m)

2 10-segment VU level meters

Phase /polarity indication

Headphone jack mutes speakers

Blowout-proof speakers

Order Part Number

VMMDA-1: 8113-0020 (Analog, AES/EBU, HD/SD-SDI)

VMDA-4: 8111-0040 (Analog, AES/EBU)

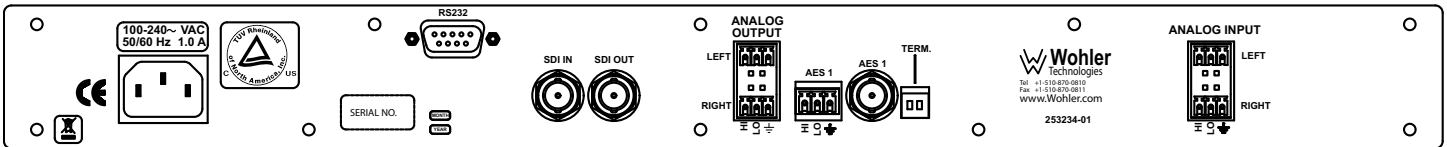
Benefits

Thorough magnetic shielding allows placement next to video monitors.

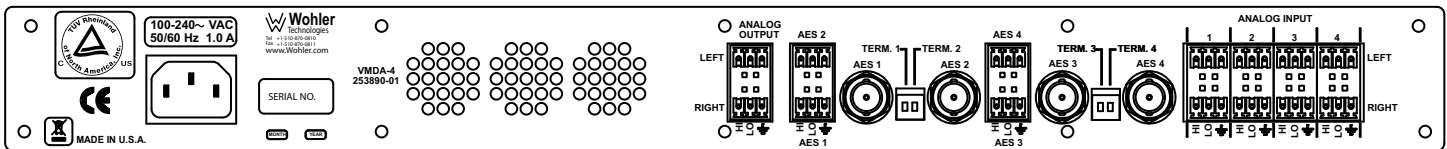
Select from analog or digital sources.

Rear Panel

VMMDA-1



VMDA-4



Physical Specifications

Specification	VMMDA-1	VMDA-4
Dimensions (H x W x D)	1.75" x 19" x 10" (44.5 mm x 483 mm x 254 mm)	1.75" x 19" x 9.0" (44.5 mm x 483 mm x 246 mm)
Shipping weight	13 lbs (5.90 kg)	10 lbs (4.50 kg)
Space requirements	1RU	
Supplied accessories	AC power cord	
Power requirements	Power to the unit is 100 to 240 VAC ± 10%, 50/60Hz.	
Magnetic shielding	< 0.2 Gauss any adjacent surface	
Speaker amp power output	20 W Transient/ 11 W Continuous RMS each side (4 Ω)	
Peak acoustic output at 2 ft.	96 dB SPL	
Output	10 W RMS (4 Ω), left and right, 14 W peak	

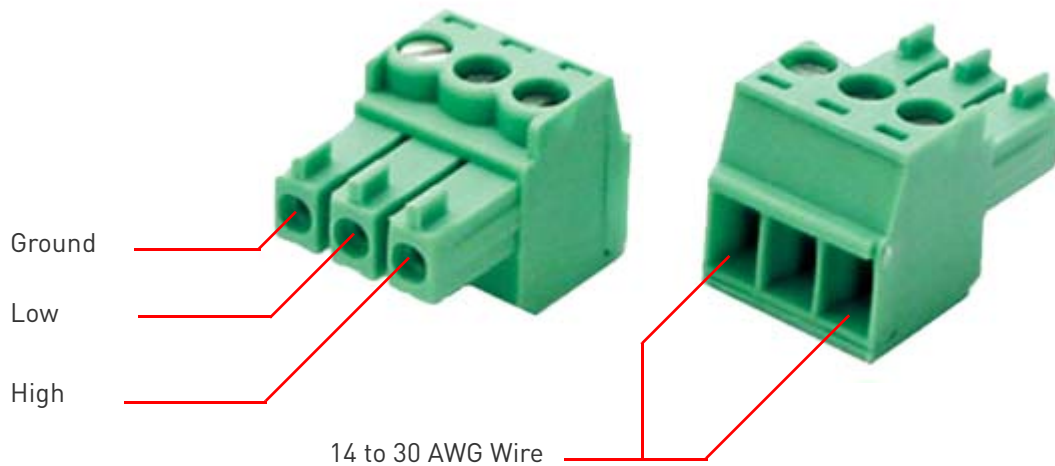
Inputs and Outputs

Connectors	VMMDA-1	VMDA-4
Inputs	2 balanced analog: (mini Phoenix) 1 AES: (mini Phoenix/BNC) 1 SD/HD-SDI (BNC)	8 balanced analog (mini Phoenix) 4 AES (mini Phoenix/BNC)
Outputs	2 selected analog (mini Phoenix) 1 re-clocked SDI (BNC)	2 selected analog (mini Phoenix)

Technical Specifications

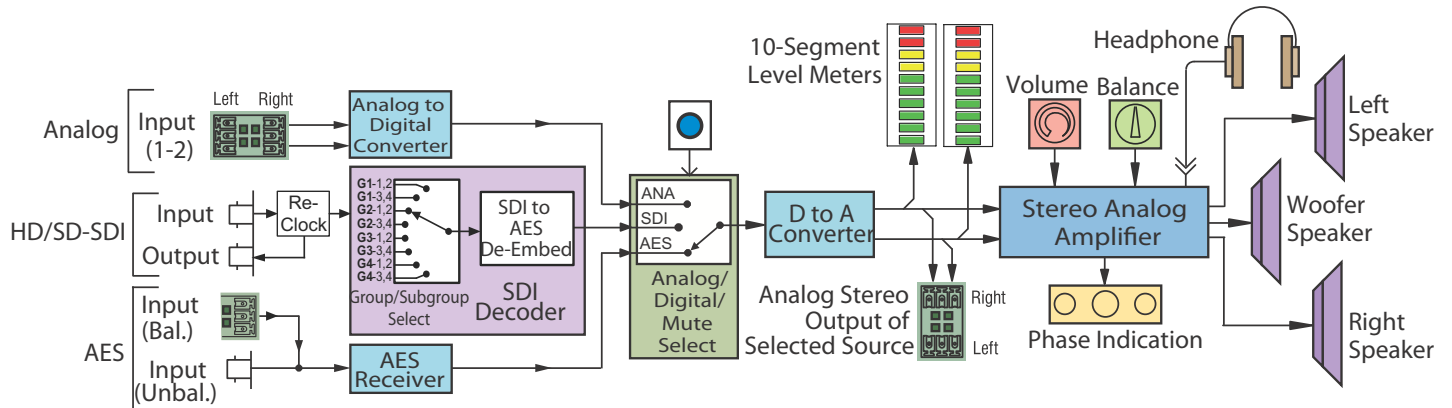
Analog input impedance	>100k Ω balanced
AES input impedance	AES 75 Ω Unbalanced and 110 Ω Balanced
Digital input sampling rate	32 to 48 kHz, auto-sensing
Input level for full output (volume full on)	0 dBv balanced (analog); 20 dBfs (digital)
Hum and noise	Better than -70 dB below full output
Acoustic frequency response	60 Hz to 16 kHz (\pm 6dB)
Maximum acoustic output	96 dB SPL at 2 feet
Electrical distortion (speaker outputs)	Less than 0.3% at any level below limiting threshold
Acoustic distortion	Typically < 2% at any level below limiting, 100 Hz-15 KHz
Magnetic shielding	Less than 0.2 Gauss any adjacent surface
Level meter type	LED bar graph
LED color	Tri-Color (red, amber, green)
Metering range	23 dB

Mini Phoenix Connector Pin-Outs

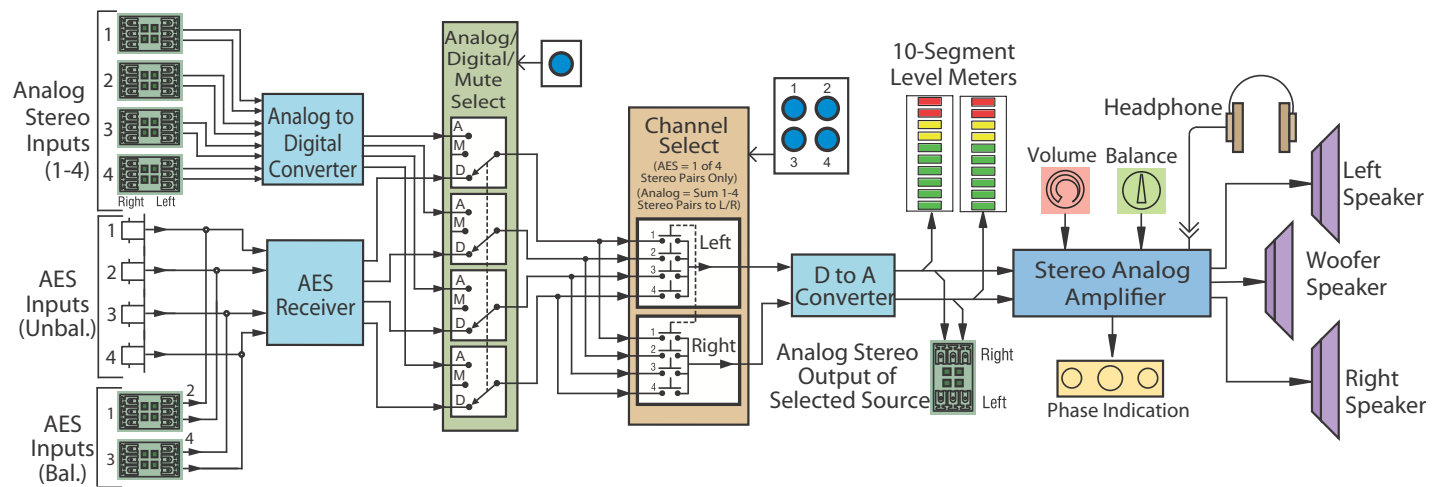


Block Diagram

VMMDA-1



VMDA-4



Contact

Wohler Technologies, Inc.
 31055 Huntwood Avenue
 Hayward, CA 94544 USA
 +1 888 5 WOHLER (Toll Free)
 +1 510 870-0810
 +1 510 870-0811 (fax)

Wohler Europe
 +33 970 440 253
 +33 1 77 72 59 99 (fax)
 sales@wohler.com
 www.wohler.com

Wohler Asia
 1704 Lucky Commercial Center
 103 Des Voeux Road West
 Sheung Wan, Hong Kong
 +852 2851 8325
 +852 2850 8182 (fax)