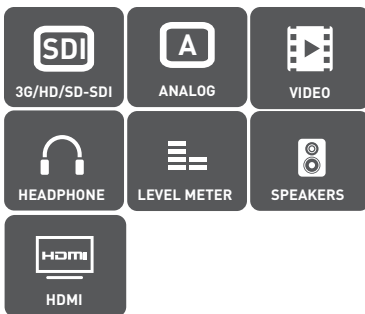


RMQ-200-3G4

20" 3G/HD/SD-SDI / HDMI / Quad Split Video Monitor



Simultaneously monitor up to four display screens, each with independent controls and in-screen audio level meters, vectorscope and waveform



The RMQ quad split, LED-backlit LCD displays are high-performance professional monitors that support advanced 10-bit digital processing technology. These monitors feature 3D comb filter, de-interlace, accurate scaling engine, GAMMA correction and color temperature adjustment.

The state-of-the-art RMQ monitors can be configured as a quad split display of four equal areas, as a large screen with three smaller views, or as a single large display screen. They are ideally suited for use in news and transmission control rooms, program production, channel branding and any environment that requires intensive monitoring.

The RMQ monitor accepts up to 4 channels of 3G/HD/SD-SDI/CVBS signals (3G models) and one HDMI/DVI input selectable for Channel 1. Each individual display supports waveform, vectorscope, audio de-embedding, and metering of up to 16 channels, UMD, format display and various markers.

Features/Benefits

- Simultaneously monitor four display screens and control each image independently
- User-defined hot key functionality for either H/V delay, underscan, on-screen display, and more
- On-screen level meters provide audio confidence monitoring
- Tally and on-screen labeling provide quick and easy signal identification
- CRT-style image controls allow video image enhancement for each screen individually
- Supports multi-format analog and digital audio signals
- Allows adjustment of the parameters for each screen
- Provides high-quality waveform or vector monitoring (for Ch 1 & Ch 3 in Quad View)
- Supports HDMI output duplicate of screen configuration
- User-adjustable color temperatures with presets

Part Numbers:

RMQ-200-3G4-TT 8001-0262

RMQ-200-3G4-RM 8001-0261

20" LCD Video Monitor, 4 x 3G/HD/SD-SDI/Composite, HDMI, Analog Audio. Tabletop Mount.

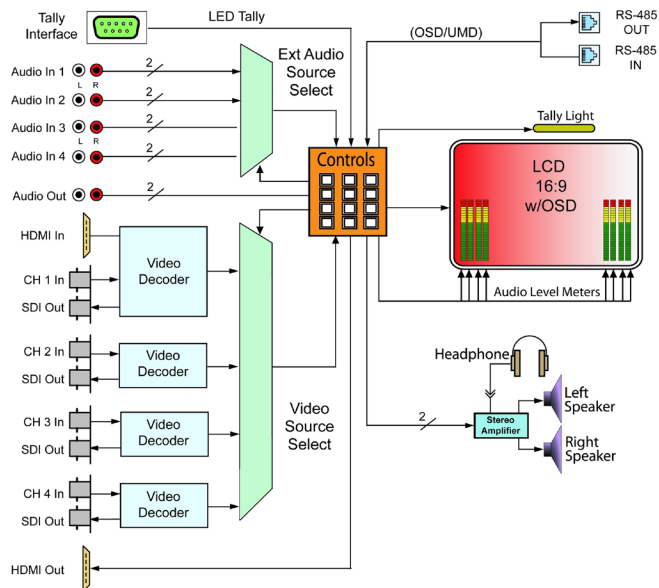
20" LCD Video Monitor, 4 x 3G/HD/SD-SDI/Composite, HDMI, Analog Audio. Rack Mount.

RMQ-200-3G4

20" 3G/HD/SD-SDI / HDMI / Quad Split Video Monitor



Rear Panel



Specifications

Display Type	Active color matrix amorphous LCD TFT with LED Backlight
Display Size	20" Diagonal
Resolution	1920 H x 1080 V
Aspect Ratio	16:9
Viewing Angle	178° x 178°
Luminance	250 cd/m2
Colors	16.7 Million
Contrast	1000:1
Pixel Pitch (mm)	0.226 x 0.219
Input Signal Format	1080P50, 1080P60/59.94, 720P24/23.97, 720P25, 720P30/29.97, 720P50, 720P60/59.94, 1080SF24/23.97, 1035i60/59.94, 1080i50, 1080i60/59.94, 1080P24/23.97, 1080P25, 1080P30/29.97, 480i60/59.94, 576i50, 480P60/59.94, 576P50 HDMI Only: 1920x1200, 1920x1080, 1680x1050, 1600x1200, 1400x1050, 1440x900, 1360x768, 1280x1024, 1024x768, 800x600, 640x480 (HDCP not supported)
Audio	2 to 16 OSD meters, 16 channels SDI, 2 pairs analog. Select any embedded or analog pair to send to the speakers, headphones, and line out per menu for each video input.
Accessories	AC power adapter, adjustable desktop stand and rack adapters optional.
Dimensions (W x H x D)	19.0" x 10.5" x 1.8" (482 mm x 267 mm x 44 mm)
Shipping Weight/ Net Weight	20 lbs. (9.2 kg)/14 lbs. (6.4 kg)
Power Connector	AC power adapter (100-240VAC to 12 VDC)
Power Requirements	AC power adapter connects to mains power (100 to 240 VAC ± 10%, 50/60Hz)
Power Consumption	50W