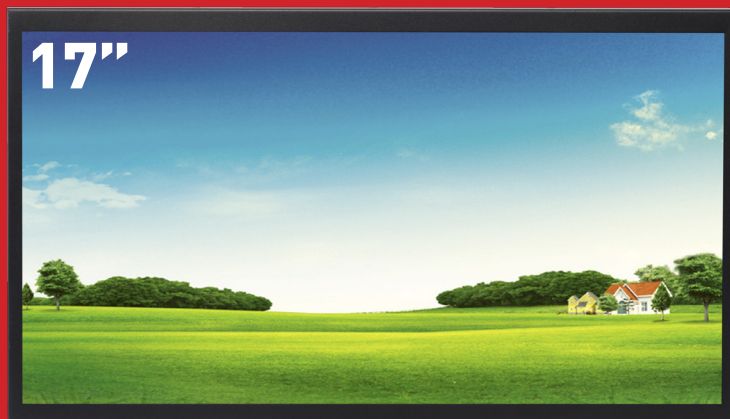
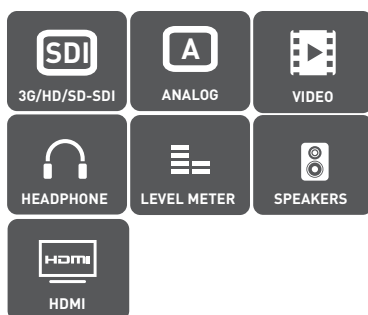


# RMT-173-3G

17" 3G/HD/SD-SDI / HDMI / Analog Video Monitor



8-bit dual split screen provides quality monitoring and in-screen audio level meters, vectorscope and waveform



RMT series monitors are designed for a wide range of applications where format flexibility and form factor are key. This monitor is excellent for studio, MCR, Edit suites, ENG & OB production environments. The RMT supports 3G/HD/SD-SDI, HDMI & DVI, composite, Y/C & component video inputs. Featuring a 8-bit 1920 x 1080 TFT/LCD screen and 10-bit image processing, a perfect medium is reached in the scaling and interpolation process, providing superb imaging regardless of video format.

RMT video monitors can be configured as a dual split display, a large screen with one smaller view, or as a single large display screen. They are ideally suited for use in news and transmission control rooms, program production, channel branding and any environment that requires intensive monitoring. This light and nimble monitor comes with a plethora of in-monitor display features including IMD, Tally, timecode, in-screen audio level metering, format display, and area/title safe markers.

The RMT also provides a host of audio tools including 16-channel level metering and built-in speaker monitoring of its dual stereo analog inputs or SDI embedded audio. Stand or rack-mount configurations are available.

#### Features/Benefits:

- Full-HD resolution 1920 x 1080 display
- Multi-format 3G/HD/SD-SDI, HDMI & DVI, composite, Y/C and component video inputs
- Waveform and Vectorscope display
- Tally and on-screen labeling provide quick signal identification
- Classic CRT-style image controls allow video image enhancements
- In-picture audio level metering
- Safe area and title markers
- Gamma color calibration
- Headphone and speaker outputs
- User-defined function buttons
- Intuitive on-screen user menus

#### Part Numbers:

RMT-173-3G-TT 8001-0371

RMT-173-3G-RM 8001-0370

17" LCD Video Monitor, 3G/HD/SD-SDI/Composite/S-Video Component/HDMI, Dual Inputs, Analog Audio. Tabletop Mount.

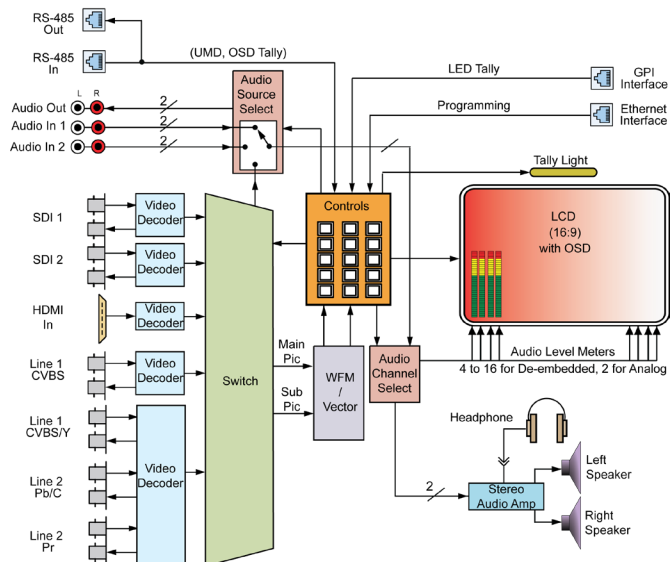
17" LCD Video Monitor, 3G/HD/SD-SDI/Composite/S-Video Component/HDMI, Dual Inputs, Analog Audio. Rack Mount Frame. 6RU

# RMT-173-3G

17" 3G/HD/SD-SDI / HDMI / Analog Video Monitor



## Rear Panel



## Specifications

Display Type	Active color matrix amorphous LCD TFT with LED Backlight
Display Size	17.3" Diagonal
Resolution	1920 H x 1080 V
Aspect Ratio	16:9
Viewing Angle	160° x 140°
Luminance	300 cd/m2
Colors	8-Bit, 16.7 Million
Contrast	600:1
Pixel Pitch (mm)	0.191 x 0.191
Input Signal Format	1080P50, 1080P60/59.94, 720P24/23.97, 720P25, 720P30/29.97, 720P50, 720P60/59.94, 1080SF24/23.97, 1035i60/59.94, 1080i50, 1080i60/59.94, 1080P24/23.97, 1080P25, 1080P30/29.97, 480i60/59.94, 576I50, 480P60/59.94, 576P50  HDMI Only: 1920x1200, 1920x1080, 1680x1050, 1600x1200, 1400x1050, 1440x900, 1360x768, 1280x1024, 1024x768, 800x600, 640x480 (HDCP not supported)
Audio	2 to 16 OSD meters, 16 channels SDI, 2 pairs analog. Select any embedded or analog pair to send to the speakers, headphones, and line out per menu for each video input.
Accessories	AC power adapter, Adjustable desktop stand included. Rack adapters optional.
Dimensions (W x H x D)	16.5" x 12.1" x 2.8" (419 mm x 307 mm x 71 mm)
Shipping Weight/ Net Weight	13 lbs. (5.9 kg)/10 lbs. (4.5 kg)
Power Connector	AC power adapter (100-240VAC to 12 VDC)
Power Requirements	AC power adapter connects to mains power (100 to 240 VAC ± 10%, 50/60Hz)
Power Consumption	60W
Space Requirements	6RU