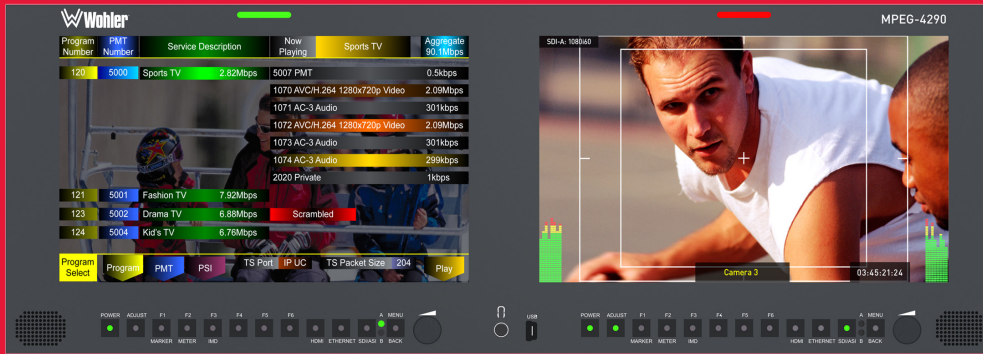


MPEG Series

MPEG TS Monitoring and Analysis



Cost-effective solution for real-time MPEG TS, SDI, and HDMI monitoring to enable delivery of excellent Quality of Service (QoS)

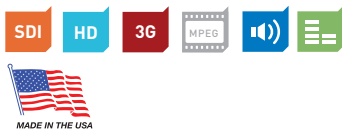
- MPEG-2443 - Quad 4.3"
- MPEG-3270 - Dual 7"
- MPEG-4290 - Dual 9"

The MPEG series decodes and displays MPEG-2 and MPEG-4 signals via Ethernet IP or BNC ASI inputs while giving users the ability to browse PAT, PMT, EIT and NIT data tables for each selected stream. In addition to MPEG IPTV and ASI inputs the MPEG series monitors also feature dual 3G/HD/SD-SDI inputs with loop-through output, HDMI input, and audio monitoring with on-screen level meters.

Only the MPEG series decodes and monitors MPEG transport streams carrying MPEG-2, MPEG-4/H.264 encoded video plus all associated data tables for complete confidence monitoring in places it was previously impractical or very costly to do so. The MPEG series brings confidence monitoring to a new level without codec limitations or the costly upgrades usually associated with MPEG monitoring equipment.

Features/Benefits:

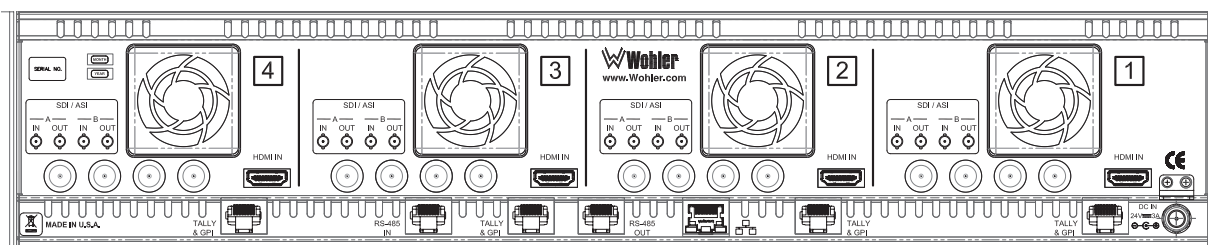
- Stand-alone multi-format confidence monitoring station (Dual ASI, 3G/HD/SD-SDI with loop-through, Single IP and HDMI inputs on all screens)
- Automatically identifies and decodes selected MPEG-2 4:2:0 and H.264/MPEG-4 4:2:0 video, audio, and metadata
- Status Indicators offer a quick go/no go indication of MPEG parameters, including: PAT, CAT, NIT, SDT, EIT, TDT, SIT and Sync
- Dolby® Digital and Digital+ Decode (Optional)
- Multiple audio decode of up to 12 groups to support multiple language tracks
- In-picture level metering for up to 16-channels of audio
- Software upgrade to support ETSI TR 101 290 Priority 1 and 2 with SNMP notifications (Future Release)
- Level meters can display both average & PPM (Peak) levels with selectable meter scales
- Tally and on-screen labelling for quick and easy signal identification
- In-picture Centre, Area, and Safe Title Markers
- Supports frame rates up to 1080p60 on both baseband and compressed inputs
- Easy to use interface with color coding for different elements
- Low power consumption
- Monitor embedded audio through local speakers and 3.5 mm headphone output
- Future proof design through easy software upgrades via USB for additional features and functions



Order Part Numbers

- MPEG-2443: 8001-0010
- MPEG-3270: 8001-0030
- MPEG-4290: 8001-0040

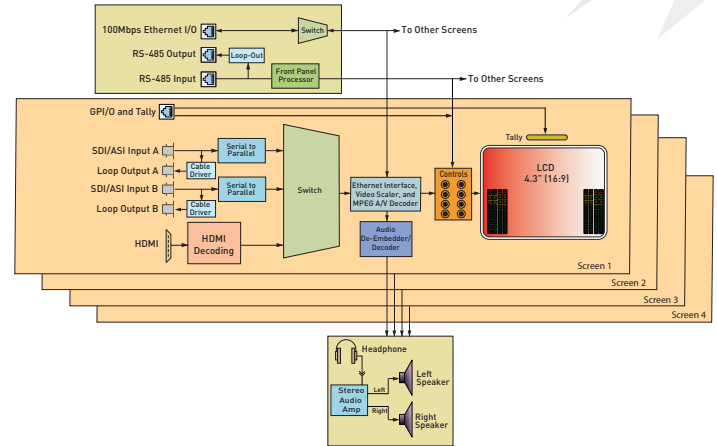
MPEG-2443 Rear Panel



MPEG Series

MPEG TS Monitoring and Analysis

MPEG-2443 Block Diagram



Specifications

	MPEG-2443	MPEG-3270	MPEG-4290
Display Type	Active color matrix amorphous LCD TFT screen; LED Backlight		
Number of Screens	4	2	
Display Size	4.3" Diagonal	7" Diagonal	9" Diagonal
Resolution	480 x 272	800 x 480	
Aspect Ratio	16:9 Native • 4:3 Selectable		
Viewing Area	3.75" H x 2.12" V (96 mm H x 53 mm V)	6.1" H x 3.6" V (152.4 mm H x 91.44 mm V)	7.7" H x 4.6" V (196.8 mm H x 118.08 mm V)
Viewing Angle	140° H x 120° V	160° H x 160° V	176° H x 176° V
Luminance	500 cd/m ²	400 cd/m ²	
Colors	16.7 million		
Contrast	500:1	1000:1	600:1
Dot Pitch (H x V, mm)	0.198 mm (RGB-H) x 0.198 mm V	0.1905 mm (RGB-H) x 0.1905 mm V	0.246 mm (RGB-H) x 0.246 mm V
Pixel response	<30 ms off-on-off (black to white to black)	<18 ms off-on-off (black to white to black)	<25 ms off-on-off (black to white to black)
TS Protocols	SPTS/MPTS-ASI, Unicast/UDP/RTP		
MPEG Video (ASI/IP)	100 kbs - 30 Mbps CBR, MPEG-2 4:2:0 MP @ML/HL/HP, MPEG-4 4:2:0 (H.264 MP/LP to L4.2) (Elementary) IP TS Bitrate: 35Mbps max ASI TS Bitrate: 200Mbps max		
MPEG Audio	MPEG-1 Layer II, AAC-LC 16-384 kbps		
Inputs per Screen	1 HDMI (HDCP Not Supported) • 2 BNC: ASI/3G/HD/SD-SDI • 1 RJ-45: Tally and GPI/O		
I/O per Unit	1 RS-485 Loop Thru • 1 RJ-45: Ethernet for IPTV and Management • 1 Mini USB for Flash Drive Updates		
Outputs per Screen	2 BNC: ASI/SDI Active Loop Thru		
Outputs per Unit	1 1/8" Stereo Headphone Jack		
Rack Height	2RU	3RU	4RU
Accessories	Included: AC power cord and 24V universal power pack		
Power Connector	Power cord plugs into standard U.S. outlet; alternate power cables are available		
Power Requirements	Mains power (100 to 240 VAC ± 10%, 50/60Hz), 100W		
Power Consumption	24 VDC at 3 Amps. CE & UL power supply		
Shipping Weight / Net Weight	8.2 lbs (3.72 kg) / 6.95 lbs (3.15 kg)	5.9 lbs (2.68 kg) / 4.65 lbs (2.11 kg)	7.3 lbs (3.31 kg) / 6.05 lbs (2.75 kg)
Dimensions (H x W x D)	3.5" x 19" x 2.2" (89 x 483 x 56mm)	5.25" x 19" x 2.2" (143 x 483 x 56mm)	7" x 19" x 2.2" (177.8 x 483 x 56mm)

[View complete list of specifications online at wohler.com](http://www.wohler.com)

Wohler Technologies, Inc.
Worldwide Headquarters
31055 Huntwood Avenue
Hayward, CA 94544 USA
Phone: +1 510 870 0810
Email: sales@wohler.com

Wohler Technologies/APAC
45/F, The Lee Gardens
33 Hysan Avenue
Causeway Bay, Hong Kong
Phone: +852 8199 0563
Email: sales@wohler.com

Wohler Technologies/EMEA
Suite 3, Medaxon House
Mill Mead, Staines
TW18 4UQ, UK
Phone: +44 (0) 2071 935507
Email: sales@wohler.com

Infinite Possibilities.



One Wohler.