



# RM-2350W-3G

Triple 5.0" 3G/HD/SD-SDI, Composite, HDMI Video Monitor, 2RU



Fully featured, slim and cost effective triple 5" rack-mountable video monitor with on-screen audio level meters and video vectorscope and histogram.



Order Part Number:  
RM-2350W-3G – 8002-0350

The RM Series is a full-featured range of slim, in-rack video monitors ideal for mobile trucks, news and transmission control rooms, production/post-production and video surveillance applications. These tilting monitors come standard with in-monitor level metering, selectable video vectorscope/histogram, safe area and aspect ratio markers, IMD labeling, tally, and built-in color bars, as well as a variety of picture controls and assistive video features such as zoom controls and focus assist.

All standard frame rates and resolutions are supported from 3G-SDI, HDMI or Analog input sources and each input has a looping output. Up to 16 audio channels may be selected for visual monitoring using on-screen bar graph style level meters. Monitoring speakers to the rear of the unit allow the selected screen to be audibly monitored, while a 3.5mm headphone socket provides optional private monitoring.

Each of the high-resolution LCD screens displays high-definition or standard-definition video in a range of aspect ratios. Parameters are selected and adjusted using an on-screen display menu.

### Features/Benefits:

- On-screen level meters up to 16 channels provide confidence audio monitoring
- Tally and on-screen labeling provide quick and easy signal identification
- Image controls allow video image enhancement for each screen, individually
- On-screen video vectorscope and histogram displays
- Ratio and Safe Area markers
- Built-in color bars
- Intuitive on-screen menu
- Headphone output
- Client/Server GUI network control, ideal for configuring difficult to reach wall-mounted monitors.

### Rear Panel

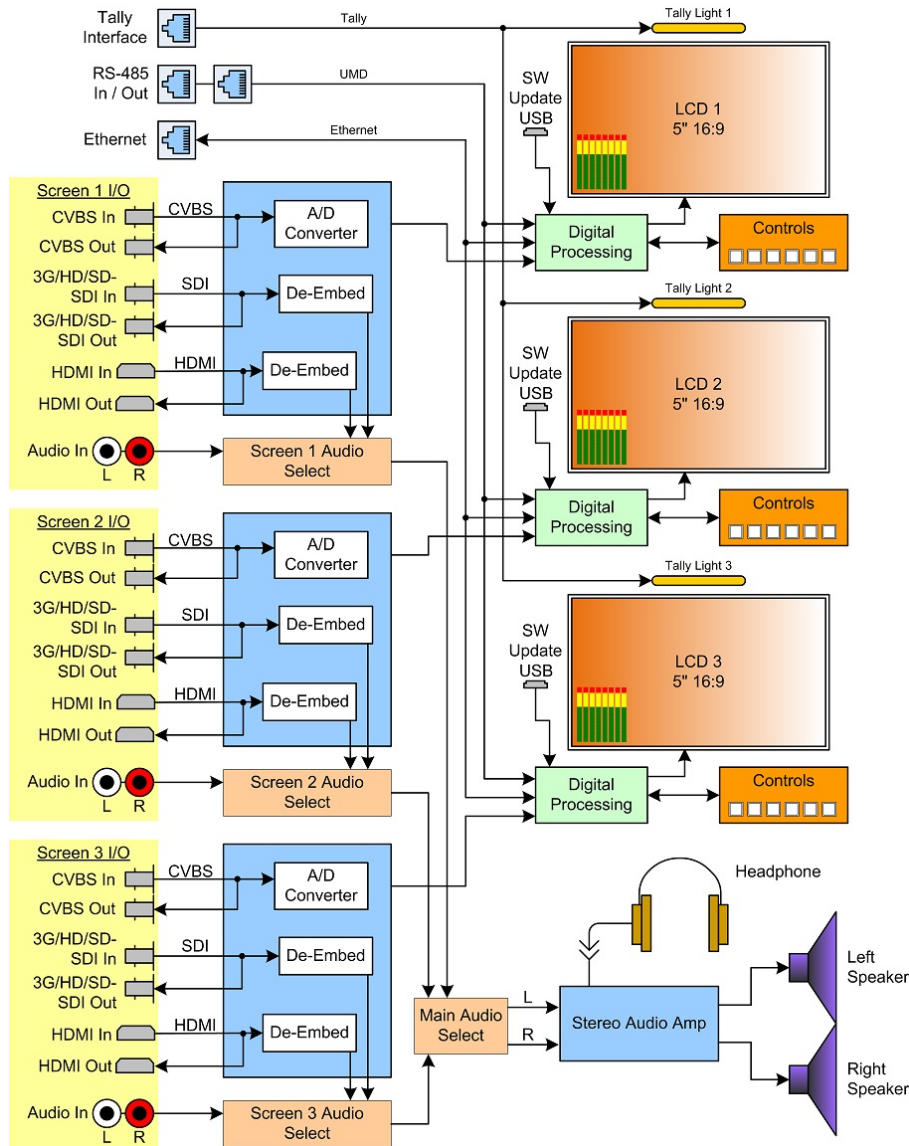


# RM-2350W-3G

Triple 5" 3G/HD/SD-SDI, Composite, HDMI Video Monitor, 2RU



## Block Diagram



## Specifications

Specifications	
<b>Video Inputs (per screen):</b>	1 x auto-sensing 3G/HD/SD-SDI, 1 x HDMI on type A; 1 CVBS on BNC,
<b>Video Outputs (per screen)</b>	1 x looped 3G/HD/SD-SDI, 1 x looped HDMI on type A; 1 x looped CVBS on BNC,
<b>Audio Inputs (per screen)</b>	2 x analog on RCA
<b>Video Frame Rate</b>	480i / 576i / 480p (HDMI) / 576p (HDMI) 1080i (60 / 59.94 / 50) 720p (60 / 59.94 / 50 / 30 / 29 / 25 / 24 / 23.98) 1080p (60 / 59.94 / 50 / 30 / 29.97 / 25 / 24 / 24sF / 23.98 / 23.98sF)
<b>Screen Size / Display Area</b>	5.0" diagonal per screen; 153.6 mm (H) x 90.0 mm (V)
<b>Video Display Resolutions</b>	800(H) x 480(V) (16:9; 4:3 selectable)
<b>Luminance</b>	500 cd/m <sup>2</sup>
<b>Contrast</b>	500:1
<b>Color Depth</b>	16.7 million
<b>OSD Audio Meters</b>	2-16 channels for each display window (source dependent)
<b>Control Interfaces</b>	2 x RS485 (IMD) on RJ-45; 1 x RJ-45 (tally)
<b>Dimensions (W x H x D), Weight</b>	3.5" x 19" x 1.7" (176mm x 484mm x 43mm); 2RU; 6 lbs (2.7 kgs)

Specifications subject to change, errors and omissions excepted  
All trademarks, product names and images are the property of their respective owners  
Any rights not expressly granted herein are reserved.

Wohler Technologies, Inc.  
1280 San Luis Obispo Ave., Hayward, CA, 94544, USA  
+1 510 870 0810 | sales@wohler.com | www.wohler.com