



Dual 7" HD/SD-SDI Video Monitor

RM-3270W-HD



Full feature set, cost effective, reliable dual 7" video monitor with in-screen audio level meters, vectorscope, and waveform

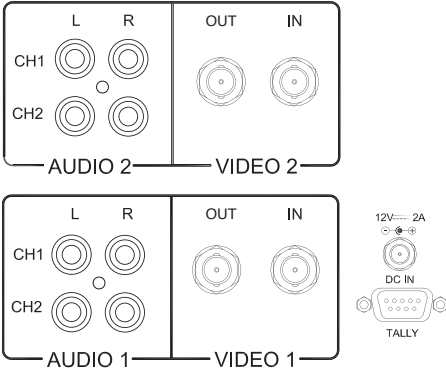
The RM Series is a highly-featured, low-cost range of in-rack HD/SD-SDI and CVBS video monitors ideal for the many feeds in mobile trucks, news and transmission control rooms, duplication, and post production applications.

These tilting monitors come standard with in-monitor level metering, selectable video waveform and vectorscope, safe and title markers, labeling, tally, timecode, video format, and built-in color bars, and an intuitive on-screen configuration menu.

Input signals are automatically detected and up to 8 of the 16 audio channels embedded in an HD/SD-SDI bitstream may be selected for visual monitoring on 8 on-screen bar graph style level meters on the HD and 2HD models. A headphone jack or speakers provides audible stereo monitoring of selected left and right channels.

Each of the two high-resolution LCD screens display high-definition or standard-definition video at either 16:9 or 4:3 aspect ratio. Parameters are selected and adjusted using an on-screen display menu.

Rear Panel



Benefits:

- User defined hot key functionality provides either H/V delay, underscan, on-screen display, and more
- On-screen level meters provide confidence audio monitoring
- Tally and on-screen labeling provide quick and easy signal identification
- CRT-style image controls allow video image enhancement for each screen individually

Features:

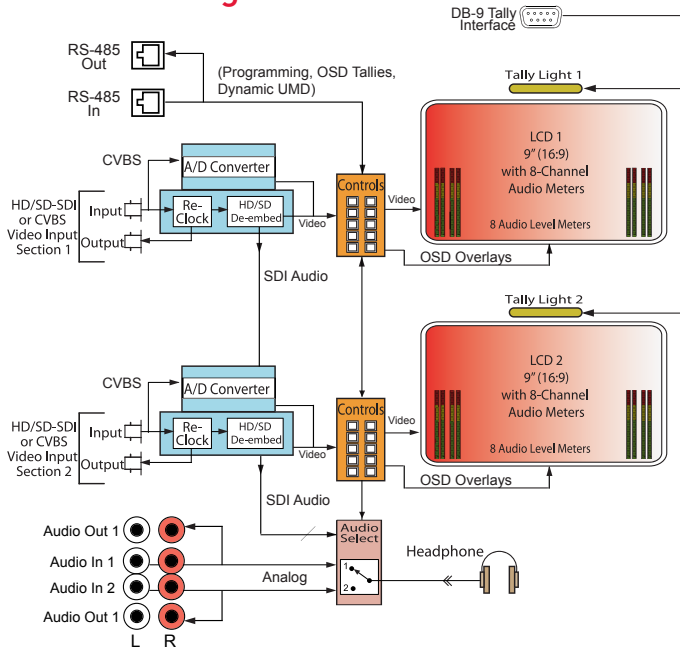
- In-picture level metering, waveform, and vectorscope display
- Labelling, tally, timecode, detected video format, safe area and title markers display
- Gamma color calibration
- Built-in color bars
- User-defined function buttons
- Intuitive on-screen menu
- Headphone output



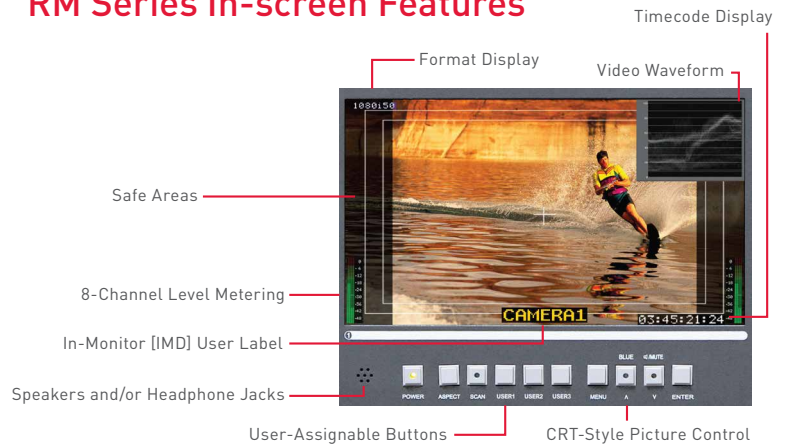
Dual 7" HD/SD-SDI Video Monitor

RM-3270W-HD

Block Diagram



RM Series In-screen Features



Inputs

- 2 Auto-Sensing HD/SD-SDI, CVBS Inputs on BNC (1 per screen)
- 2 RCA Analog Audio Stereo Input Pairs (1 per screen)

Outputs

- 2 HD/SD-SDI, CVBS Outputs on BNC (1 per screen)
- 2 RCA Analog Audio Stereo Output Pairs
- 1 Headphone

Specifications

[View complete list of specifications online at wohler.com](http://www.wohler.com)

| | |
|------------------------------|---|
| Dimensions (H x W x D) | 5.25" x 19.1" x 2.6" (133 mm x 486 mm x 67 mm) |
| Shipping Weight / Net Weight | 9 lbs (4.1 kg) / 6 lbs (2.7 kg) |
| Space Requirements | 3RU in a standard 19" rack |
| Accessories Included | AC power cord |
| Power Connector | AC power adapter (100-240VAC to 12 VDC) |
| Power Requirements | Power to the unit connects to mains power (100 to 240 VAC ± 10%, 50/60Hz) |
| Power Consumption | 10W |
| Display Type | Active color matrix amorphous 7", LCD TFT screens |
| Display Size | 7" Diagonal |
| Aspect Ratio | 16:9 native 4:3 selectable |
| Active Viewing Area | 6" H x 3.46" V (152 mm H x 88 mm V) |
| Viewing Angles | 135°H x 110°V |
| Resolution | 800 x 480 |
| Luminance | 350 cd/m ² |
| Colors | 16.7 million |
| Contrast | 700:1 |
| Pixel Pitch | 0.1905 mm (H) X 0.1905mm (V) |
| Pixel response | <16 ms off-on-off (black to white to black) |