
RM-3270W HD Series

- RM-3270W-HD
- RM-3270W-2HD

3RU, 2-Screen, 7" Audio/Video Monitors

User Guide

Part Number 821041 Revision I



31055 Huntwood Avenue
Hayward, California
94544 USA



1 800 5 WOHLER
+1 (510) 870-0810
Fax +1 (510) 870-0811



www.wohler.com
info@wohler.com



© 2013 Wohler Technologies, Inc. All rights reserved.

This publication is protected by federal copyright law. No part of this publication may be copied or distributed, stored in a retrieval system, or translated into any human or computer language in any form or by any means electronic, mechanical, manual, magnetic, or otherwise, or disclosed to third parties without the express written permission of Wohler Technologies.

Reproduction

Licensed users and authorized distributors of Wohler Technologies, Inc. products may copy this document for use with Wohler Technologies, Inc. products provided that the copyright notice above is included in all reproductions.

Customer Support

Wohler Technologies, Inc.
31055 Huntwood Avenue
Hayward, CA 94544
www.wohler.com

Phone: 510-870-0810
FAX: 510-870-0811
US Toll Free: 1-888-596-4537
(1-888-5-WOHLER)
Web: www.wohler.com
Sales: sales@wohler.com
Support: support@wohler.com

Disclaimers

Even though Wohler Technologies, Inc. has tested its equipment and software, and reviewed the documentation, Wohler Technologies, Inc. makes no warranty or representation, either express or implied, with respect to software, documentation, their quality, performance, merchantability, or fitness for a particular purpose.

Wohler Technologies, Inc. reserves the right to change or improve our products at any time and without notice.

In no event will Wohler Technologies, Inc. be liable for direct, indirect, special, incidental, or consequential damages resulting from any defect in the hardware, software, or its documentation, even if advised of the possibility of such damages.

Some states do not allow the exclusion or limitation for incidental or consequential damages, so the above exclusion or limitation may not apply to you.

Printing

This document is intended to be printed on a duplex printer, such that the copy appears on both sides of each page. This ensures that all new chapters start on a right-facing page.

This document looks best when printed on a color printer since some images may be indistinct when printed on a black and white printer.

Last Update

October 17, 2013

RM-3270W HD Series User Guide

Introduction

Overview

The 3RU rack-mounted RM-3270W HD Series monitors set a new standard in LCD monitors for broadcast and professional video applications. It provides two 7", 800 x 480 resolution, anti-glare TFT screens. All video formats are scaled to fit on screen in the highest quality using full, digital processing, precision scaling and gamma correction to produce the best images available.

Topics

Topics	Page
Introduction	1
Safety Instructions	2
Installation Recommendations	3
FCC Compliance	3
Features	4
Specifications	5
Front Panel Controls	6
Rear Panel Connectors	9
On-Screen Display Features	11
Using the OSD Menu	12
Technical Functional Overview	19

Safety Instructions

1. Read, keep, and follow all of these instructions; heed all warnings.
2. Do not use this equipment near water.
3. Use only a dry cloth to clean the equipment.
4. Do not block any ventilation openings. Install only in accordance with the instructions in the section entitled, "[Installation Recommendations](#)" on [page 3](#).
5. Do not install near any heat source such as a radiator, heat register, amplifier, or stove.
6. Do not expose the equipment to rain or moisture.
7. Do not attempt to plug the unit into a two-blade outlet (with only two prongs of equal width).

IMPORTANT: By design, these monitors will only plug into a three-prong outlet for your safety. If the plug does not fit into your outlet, contact an electrician to replace the obsolete outlet.

8. Protect the power cord from being walked on or pinched, particularly at plug's source on the equipment and at the socket.
9. Use only the attachments/accessories specified by the manufacturer.
10. Unplug the equipment during lightning storms or when unused for long periods of time.
11. Refer all servicing to qualified service personnel. Servicing will be required under all of the following conditions:
 - The equipment has been damaged in any way, such as when the power-supply cord or plug is damaged.
 - Liquid had been spilled or objects have fallen onto the equipment.
 - The equipment has been exposed to rain or moisture.
 - The equipment does not operate normally.
 - The equipment has been dropped.

Installation Recommendations

Mounting

The unit is designed to install into a standard 19" rack. The unit should be mounted at approximately eye level for optimum visual observation.

Heat Dissipation

No special physical mounting considerations are necessary regarding heat dissipation except under adverse conditions, provided the ambient temperature inside the mounting enclosure does not exceed 40°C (104°F). Adjacent devices can be rack mounted (or stacked) in proximity to the unit. If the temperature is above 40°C, allow a 1RU (1.75"/44.45mm) space above and below the unit for air circulation.

DC Power

Connect the unit to its external 100 to 240VAC (50 to 60Hz) to 12VDC power supply (included).

FCC Compliance

This equipment has been tested and found to comply with the limits for a Class A digital device, pursuant to part 15 of the FCC Rules. These limits are designed to provide reasonable protection against harmful interference when the equipment is operated in a commercial environment. This equipment generates, uses, and can radiate radio frequency energy and, if not installed and used in accordance with the instruction manual, may cause harmful interference to radio communications. Operation of this equipment in a residential area is likely to cause harmful interference in which case the user will be required to correct the interference at his own expense.

Features

The RM-3270W HD Series audio/video monitors are designed for confidence monitoring of composite video broadcast signal video sources. HD and 2HD models also monitor SDI signals. Input signals are automatically detected and displayed. Four to eight audio channels per screen may be selected for visual monitoring on bar graph style level meters. A headphone jack allows audible stereo monitoring of the left/right channels on all models. Both models have stereo speakers.

Each of the two high-resolution LCD screens display either 4:3 or 16:9 aspect ratio. Parameters are selected and adjusted using an On Screen Display (OSD) MENU. A DB9 connector serves as the interface to the two tally lights on the front panel.

Additional overlays can be added by the operator for safe area and safe title markers, center mark, and display name.

The slim and light weight design provides two screens in a very compact rack-size (3RU) while the chassis only has 2.5 inches of depth.

The feature-rich RM-3270W HD Series monitors provide all of the following:

- Two LCDs, 7" diagonal each
- Selectable 16:9 or 4:3 screen aspects for on screen video
- Rack mount mechanical design with vertical tilt
- Audio level meter display for up to eight channels per display
- Monitor audio source from selected display on stereo headphones
- Visually monitor audio levels on meters assignable to any channel
- Level meters can display VU, PPM (PK) or both with assignable -20db to -18db level
- Local control (via menu operation) for all functions including:
 - Blue gun as mono
 - Safe area
 - Safe title

- Center markers
- Monochrome display mode
- Over/underscan
- Display of input format
- Waveform or vectorscope
- Display of up to 10 characters of user-defined text
- Red/green/yellow/white text color
- Built in color bars 75% full field
- User defined configuration
- Auto sets at power up

Specifications

Table 1-1 RM-3270W-HD/2HD Specifications

Specification	HD	2HD
Number of Screens	2 active color matrix amorphous 7" LCD TFT screens	
Display	7" diagonal	
Aspect Ratios	4:3 or 16:9	
Active Viewing Area	6" H x 3.46" V (152 mm H x 88 mm V)	
Screen Treatments	Anti-glare 4H hardness	
Viewing Angles (Tilt)	135°H x 110°V	
Screen Colors	16.7 million	
Resolution (Dots, H x V)	800 x 480	
Dot Pitch (H x V, mm)	0.1905 x 0.1905	
Pixel Response (ms)	<16 typical	
Luminance	350 cd/m ²	
Contrast	700:1	
Chromacity	72% CIE 1931 color gamut	
Color Temperature	D65	

Table 1-1 RM-3270W-HD/2HD Specifications (Continued)

Specification	HD	2HD
Space Required	3 RU	
Dimensions (W x H x D)	19.1" x 5.25" x 2.6" (486 x 133 x 67 mm)	
Shipping Weight	9 lbs. (4.08 kg)	
Power Consumption	12VDC/10 watts (3.8 Amps max) CE & UL power supply	
Operating Temperature	0°C (32°F) to 40°C (104°F)	
Video Format	All HD/SD-SDI and CVBS	
Inputs (per screen)	1 HD/SD-SDI, Analog Composite (BNC) 1 Pair Analog Audio (RCA)	2 HD/SD-SDI, Analog Composite (BNC) 2 Pair Analog Audio (RCA)
Outputs (per screen)	1 HD/SD-SDI Re-clocked (BNC) 1 Pair Analog Audio (RCA)	None
Supplied Accessories	AC power adapter	

Note: All of the specifications listed above are subject to change without notice.

Front Panel Controls

Figure 1-1 RM-3270W-HD Front Panel

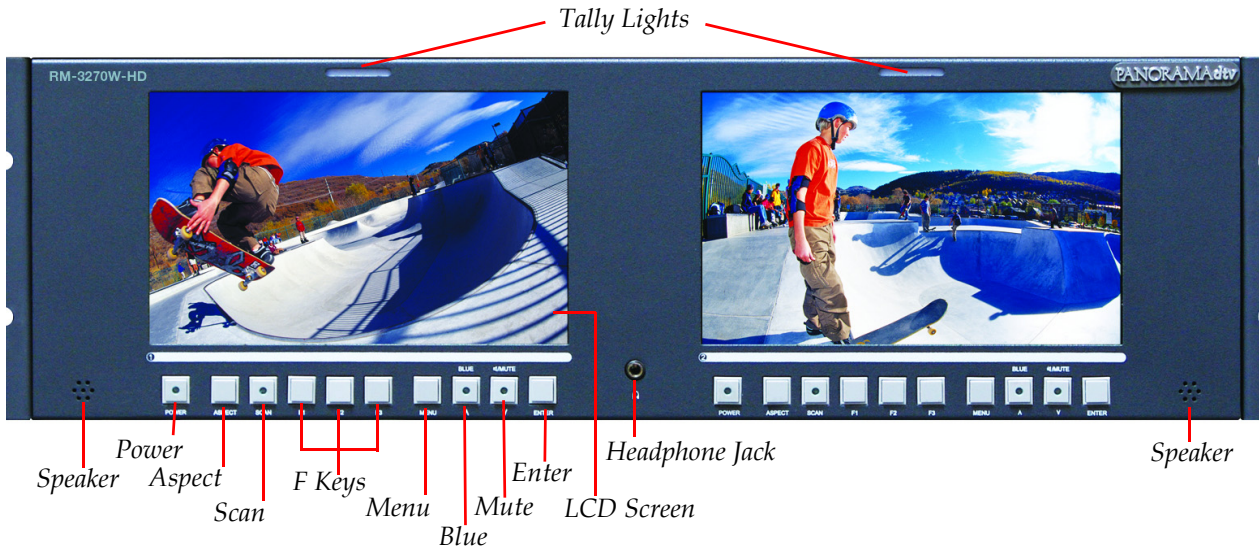
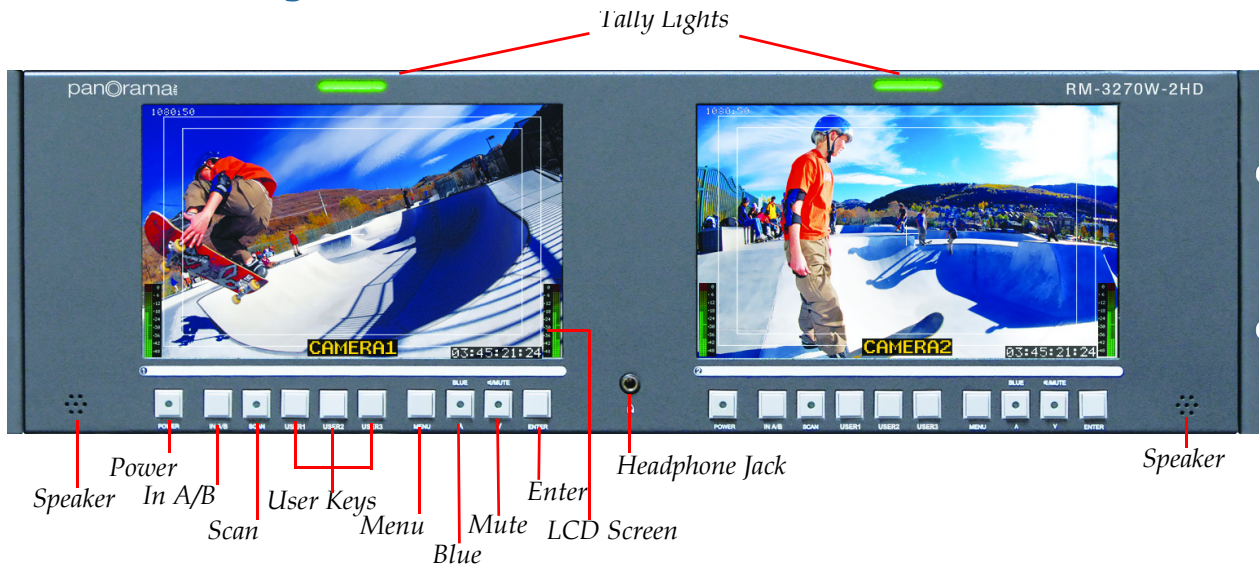


Figure 1-2 RM-3270W-2HD Front Panel



- Tally Lights:** These tri-color (red/green/amber) lights are controlled through a DB9 connector on the rear panel. For more information about the DB9 connector, refer to "Tally Interface Connector" on [page 11](#).

RM-3270W HD Series User Guide

Front Panel Controls

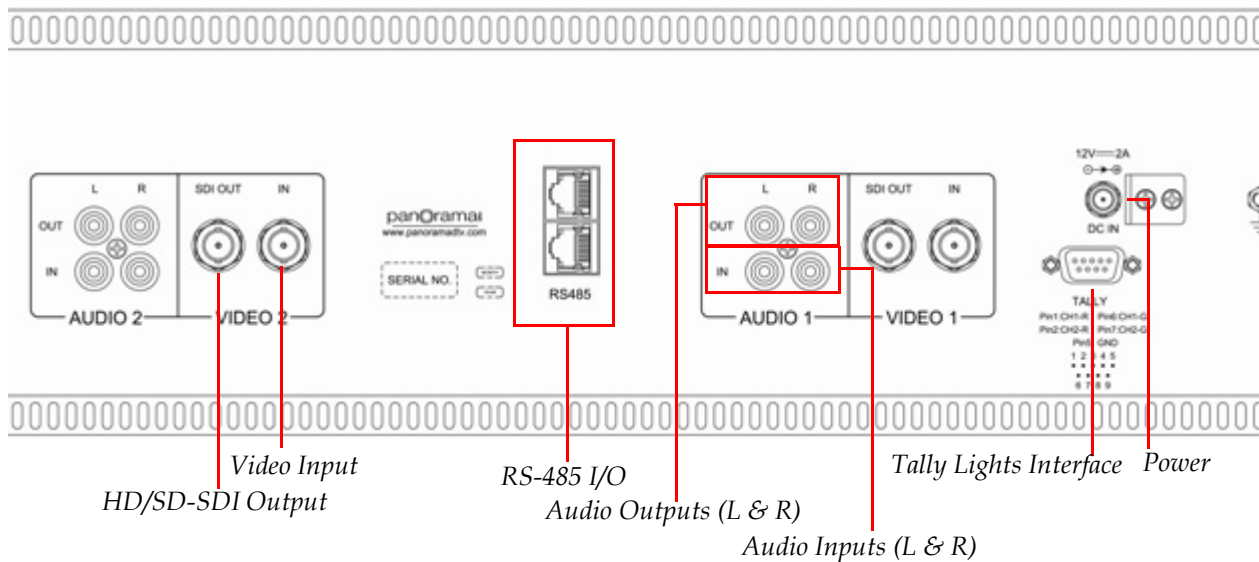
- **Speakers:** Audio may be selected for monitoring through the left and right speakers.
 - **Note:** The left LCD must be turned on for audio to function from either the left or the right screen, because the audio amplifiers are powered from the left LCD. Therefore, if only one screen is to be used, be certain that it is the left one.
- **Power:** Each of the two **Power** buttons turn the associated LCD screen on and off; the LED glows green to indicate on. When the indicator above the power switch is green then the unit is receiving power. When the indicator is flashing, the unit is in stand-by mode.
- **In A/B:** These two buttons switch between signal inputs.
 - **Note:** The In A/B buttons are only available on the 2HD.
- **Scan:** The **Scan** button toggles between the full video signal view (underscan mode) to a typical display visible on a customer's monitor (normal mode). The LED glows green to indicate underscan.
- **Aspect:** This button toggles the aspect ratio between 4:3 and 16:9 for the associated LCD screen. It has no affect on HD widescreen formats.
 - **Note:** The **Aspect** button is not available on the RM-3270W-2HD.
- **User 1** through **User 3** or **F1** through **F3:** The **User/F** buttons are programmable as hot keys for parameter adjustments.
- **Menu:** Press this button to display the OSD MENU. See [Using the OSD Menu on page 12](#) for more details.
- **Blue/Down:** The **Down** function is on the same button as the **Blue** function. When the OSD MENU is displayed, this button navigates down through the menu and sub-menu selections. When the OSD MENU is not displayed, pressing this button initiates Blue mode.

- **Mute/Up:** The **Up** function is on the same button as the **Mute** function. When the OSD MENU is displayed, this button navigates up through the menu and sub-menu selections. When the OSD MENU is not displayed, pressing this button controls audio selection.
 - **Note:** The left LCD must be turned on for audio to function from either the left or the right screen, because the audio amplifiers are powered from the left LCD. Therefore, if only one screen is to be used, be certain that it is the left one.
- **Enter:** When the OSD MENU is displayed, pressing this button accepts selections in the menus and sub-menus. When the OSD MENU is not displayed, the button cycles through volume and image controls.
- **Headphone Jack:** Monitor the assigned left/right stereo audio channels with stereo headphones from this mini-stereo connector.
- **LCD Screen:** The LCD screens display the audio meters, menus, and OSD features over the video.

Rear Panel Connectors

Rear Panel Connectors for the RM-3270W-HD

Figure 1-3 RM-3270W-HD Rear Panel



- **Video Input:** This auto-detecting, input connector accepts HD/SD-SDI or analog CVBS video signals. The inputs comply with SMPTE259M, SMPTE292M/ITU-R BT601. Composite video inputs comply with SMPTE-170M.
- **HD/SD-SDI Output:** The system re-shapes and re-clocks an HD/SD-SDI signal before outputting it to this female BNC connector.
- **RS-485 I/O (on RJ-45):** These two ports are used for system software upgrades and dynamic IMD controls.

Figure 1-4 RS-485 I/O Pin-Out

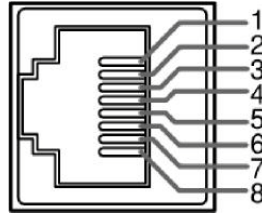


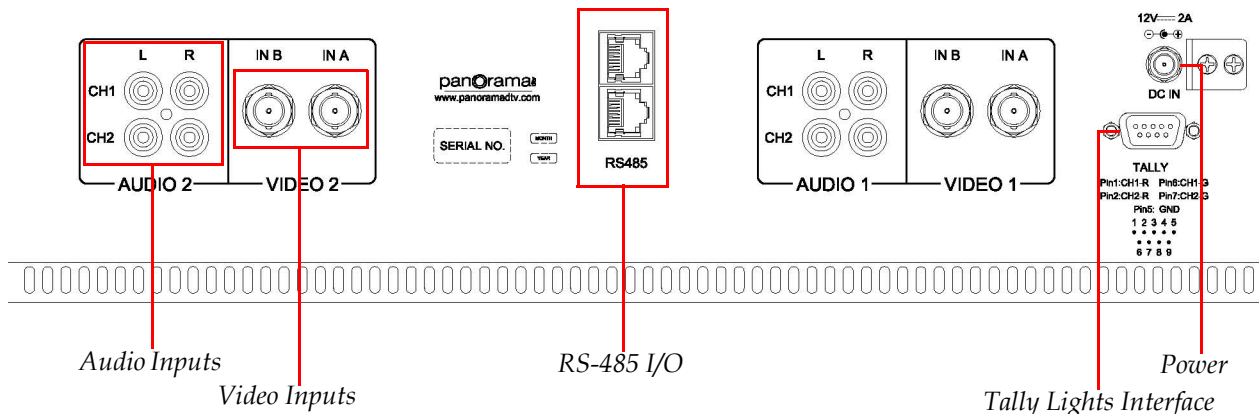
Table 1-2 RS-485 Pin-Out

Pin	RS485 In terminal	RS485 Out Terminal
1, 2	GND	GND
3	Tx-	Tx-
4	Rx+	Rx+
5	Rx-	Rx-
6	Tx+	Tx+
7, 8	NC	NC

- **Analog Audio Input:** Input terminals for the analog audio signal.
L: left audio channel; R: right audio channel.
- **Analog Audio Output:** Output terminals of the analog audio signal.
L: left audio channel; R: right audio channel.

Rear Panel Connectors for the RM-3270W-2HD

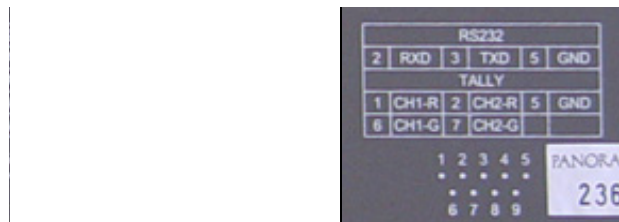
Figure 1-5 RM-3270W-2HD Rear Panel



Common Connectors

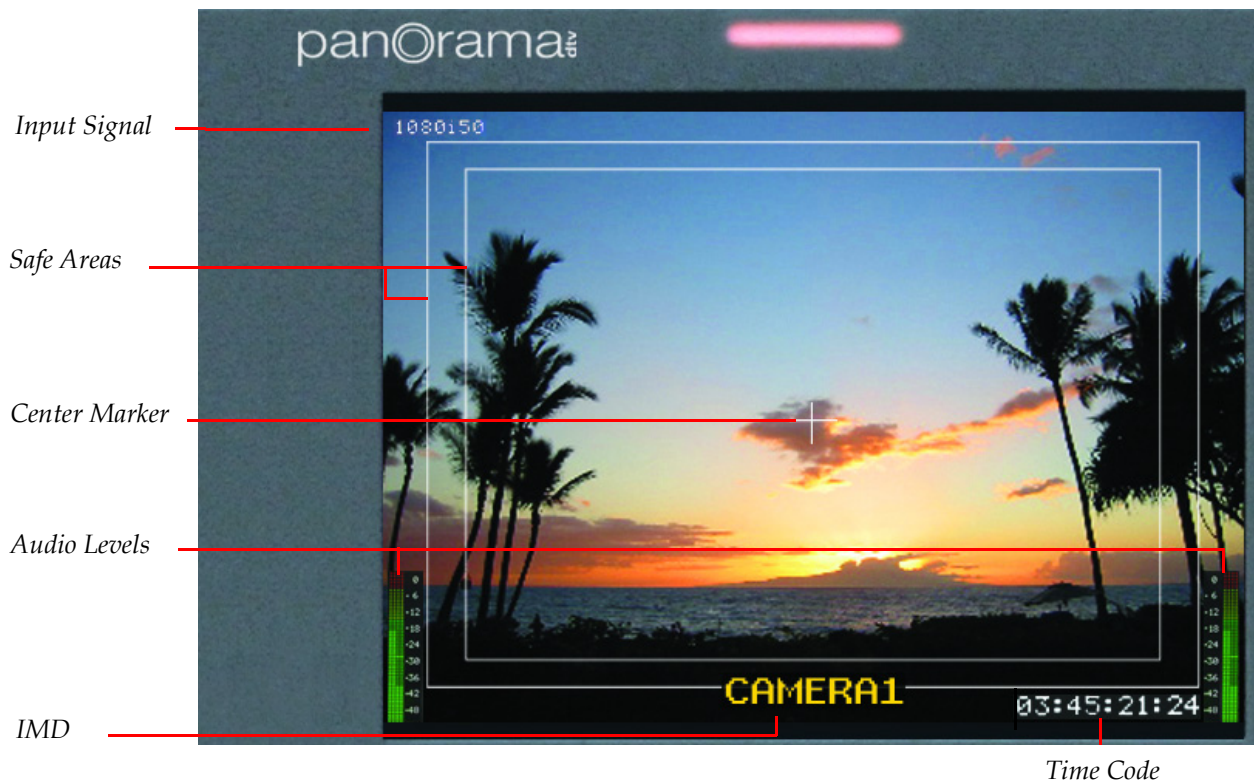
- **Power Connector:** To provide power to the unit, attach the supplied 100 to 240VAC to 12VDC power supply to this connector.
- **Tally Interface Connector:** This DB9 connector controls the tally lights on the front panel. Refer to [Figure 1-6](#) below for the pin out.

Figure 1-6 Rear Panel DB9 Connector Pin Out



On-Screen Display Features

Figure 1-7 Display Features



- **Input Signal:** The input signal is automatically detected as vertical active line count, (i)nterlaced or (p)rogressive, and frame rate in Hz.
- **Audio Levels:** Levels for the audio channels are displayed on up to eight meters as left/right pairs: maximum of four meters on the left side and four on the right.
- **IMD:** The OSD MENU provides settings to customize the IMD (In Monitor Display) text area to show a line of characters, numbers, and some symbols.
- **Time Code:** The de-embedded time code from the HD/SD-SDI source displays in the bottom right corner.

Using the OSD Menu

A description of how to use the OSD MENU follows. Also refer to [Table 1-3 on page 13](#) for typical values and domain ranges.

1. Press the Menu button to display the menu.
Note: If you do not press another button for approximately 30 seconds, the menu will disappear from the screen.
2. Use the **Up** and **Down** buttons to navigate through the submenus.
3. Press the **Enter** button to enter the parameter selections in the chosen submenu.
4. Use the **Up** or **Down** buttons to cycle through the submenu selections.
5. When the desired option is highlighted, press the **Enter** button to select it.
6. Use the **Up** or **Down** buttons to adjust the parameter value up or down, make a selection, or turn a function on or off.
7. Press the **Menu** button to back out of a parameter or submenu. Press the **Menu** button again to remove the menu from the screen.

Table 1–3 RM-3270W-HD and RM-3270W-2HD OSD Menu Structure

Menu	Parameters	Default Value	Domain Range
STATUS	FORMAT	N/A	Not configurable, signal dependent
	COLOR TEMP	D65	
	MON SOURCE	N/A	
	SCAN	UNDER SCAN	
	SD ASPECT	4:3	
	MODEL	RM-3270W-HD	
VIDEO	BRIGHTNESS	000	-116 through 139
	CONTRAST		-128 through 127
	SATURATION		000 through -15
	SHARPNESS		-032 through 031
	HUE		
	RESET	YES	Loads system defaults
	COLOR TEMP	D65	<ul style="list-style-type: none"> • D65 • D56 • D95 • USR
	R GAIN	128	0 through 255
	G GAIN		
	B GAIN		
	R OFFSET		
	G OFFSET		
	B OFFSET		
	RESET	YES	Loads system defaults

Table 1-3 RM-3270W-HD and RM-3270W-2HD OSD Menu Structure (Continued)

Menu	Parameters	Default Value	Domain Range
AUDIO	AUDIO MON	ON	ON
	MON SOURCE	MET 1	<ul style="list-style-type: none"> • MET 1 • MET 2 • MET 3 • MET 4
	VOLUME	-30db	-30 db through 0 db
	METER SIZE	SMALL	Not Configurable
	METER H POS L	000	000 through 255
	METER H POS R		
	TEST LEV	-20 DB	-20DB or -18DB
	IN A:MET 1	VU+PK	<ul style="list-style-type: none"> • VU • PK • VU+PK • NONE
	IN A:MET 2		
	IN A:MET 3		
IN A:MET 4			

Table 1–3 RM-3270W-HD and RM-3270W-2HD OSD Menu Structure (Continued)

Menu	Parameters	Default Value	Domain Range	
AUDIO (Continued)	IN A:MET 1-L	CH 1	EBD1 through EBD16	
	IN A:MET 1-R	CH 2		
	IN A:MET 2-L	CH 3		
	IN A:MET 2-R	CH 4		
	IN A:MET 3-L	CH 5		
	IN A:MET 3-R	CH 6		
	IN A:MET 4-L	CH 7		
	IN A:MET 4-R	CH 8		
	Note: The IN B options are only available on the 2HD model.			
		IN B:MET 1	VU+PK	<ul style="list-style-type: none"> • VU • PK • VU+PK • NONE
		IN B:MET 2		
		IN B:MET 3		
		IN B:MET 4		
		IN B:MET 1-L	CH 1	EBD1 through EBD16
		IN B:MET 1-R	CH 2	
		IN B:MET 2-L	CH 3	
	IN B:MET 2-R	CH 4		
	IN B:MET 3-L	CH 5		
	IN B:MET 3-R	CH 6		
	IN B:MET 4-L	CH 7		
	IN B:MET 4-R	CH 8		
MARKER	SAFE MARKER	OFF	ON or OFF; toggles audio enable between the two monitors, (i.e., enabling the ON selection on one turns the other OFF).	
	CENTER	OFF	ON or OFF	
	90%	OFF		
	80%	OFF		

Table 1-3 RM-3270W-HD and RM-3270W-2HD OSD Menu Structure (Continued)

Menu	Parameters	Default Value	Domain Range
Marker (Continued)	AREA MARKER	OFF	<ul style="list-style-type: none"> • 2.35:1 • 1.85:1 • 15:9 • 14:9 • 13:9 • 4:3 • OFF
OSD	STD DISP	OFF	<ul style="list-style-type: none"> • AUTO OFF • ON • OFF
	WFM/VT DISP		<ul style="list-style-type: none"> • VECTOR • WFM • OFF
	TC DISP		
	UMD (IMD: In Monitor Display) DISP		ON or OFF
	OSD TLY DISP	ON	ON or OFF
	OSD TLY MODE	RGY	<ul style="list-style-type: none"> • RG • GR • RGY • T1T2 • T2T1 • T1- • T2-
	LED TLY DISP	ON	ON or OFF

Table 1-3 RM-3270W-HD and RM-3270W-2HD OSD Menu Structure (Continued)

Menu	Parameters	Default Value	Domain Range
OSD (Continued)	UMD FIXED SET UP		
	—	N/A	A user-definable input string of up to 16 alphanumeric characters (also includes some symbols)
	COLOR	WHITE	<ul style="list-style-type: none"> • RED • GREEN • YELLOW • WHITE
	ALIGN	CENTER	<ul style="list-style-type: none"> • LEFT • CENTER • RIGHT
	UMD PROTOCOL		
	—		<ul style="list-style-type: none"> • LOCAL • IMAGE VIDEO • TSL V4.0 • TSL V3.1,
	UMD ID	000	000 through 255
	UMD NAME (S/N)		
	—	N/A	A user-definable input string of up to 16 alphanumeric characters (also includes some symbols)
	UMD TLY MODE	T1T2	<ul style="list-style-type: none"> • T2 • T1 • T2T1- • T1T2-
	UMD BAUD RATE		
	—	N/A	<ul style="list-style-type: none"> • 2400 • 4800 • 9600 • 19200 • 38400 • 57600 • 115200

Table 1-3 RM-3270W-HD and RM-3270W-2HD OSD Menu Structure (Continued)

Menu	Parameters	Default Value	Domain Range
OSD (Continued)	TALLY SOURCE		
	—	N/A	<ul style="list-style-type: none"> • STANDARD • TSL • STANDARD+IV422 • IMAGE VIDEO 422 • IMAGE VIDEO HW
USER CONTROL	SCAN	NORMAL	NORMAL or UNDER SCAN
	SD ASPECT	4:3	4:3 or 16:9
	H/V DELAY	OFF	<ul style="list-style-type: none"> • OFF • H • V • H/V
	COLOR BAR	DISABLE	DISABLE or "ON"
USER CONFIG	VECTOR REF	75% CB	75% CB or 100% CB
	OSD CONTROL	ON	ON or OFF
	WFM/VT MODE	SOLID	<ul style="list-style-type: none"> • SOLID • 75% • 50% • 25%
	USER1	H/V DELAY	<ul style="list-style-type: none"> • MON SOURCE • OSD CONTROL • AREA MARKER • SAFE MARKER • WFM DISPLAY • SD ASPECT • H/V DELAY
	USER2	SD ASPECT	
	USER3	WFM DISPLAY	

Technical Functional Overview

Figure 1-8 on page 19 and Figure 1-9 on page 20 illustrate the overall functionality of the RM-3270W HD Series monitors.

Figure 1-8 RM-3270W-HD Block Diagram

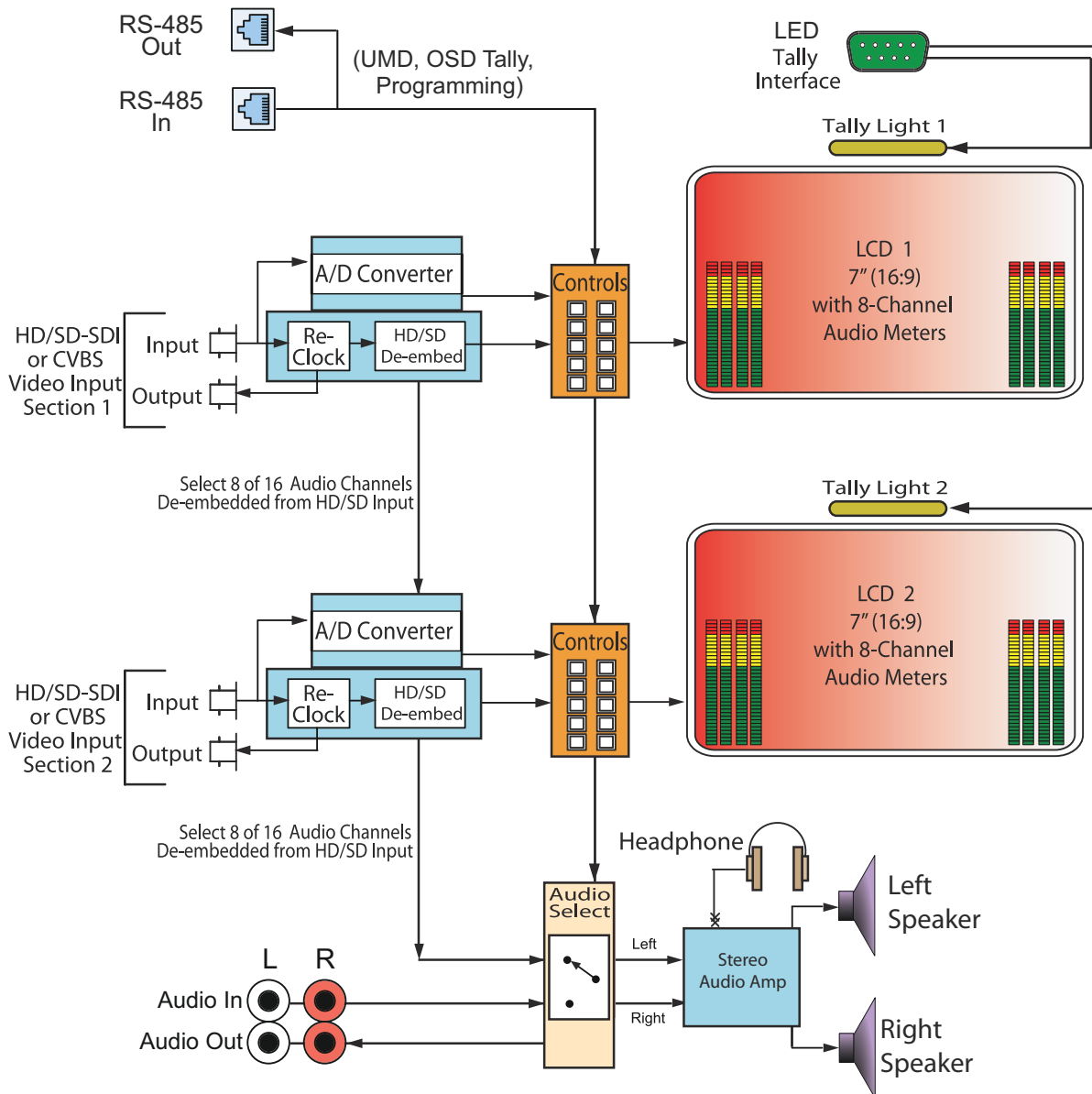
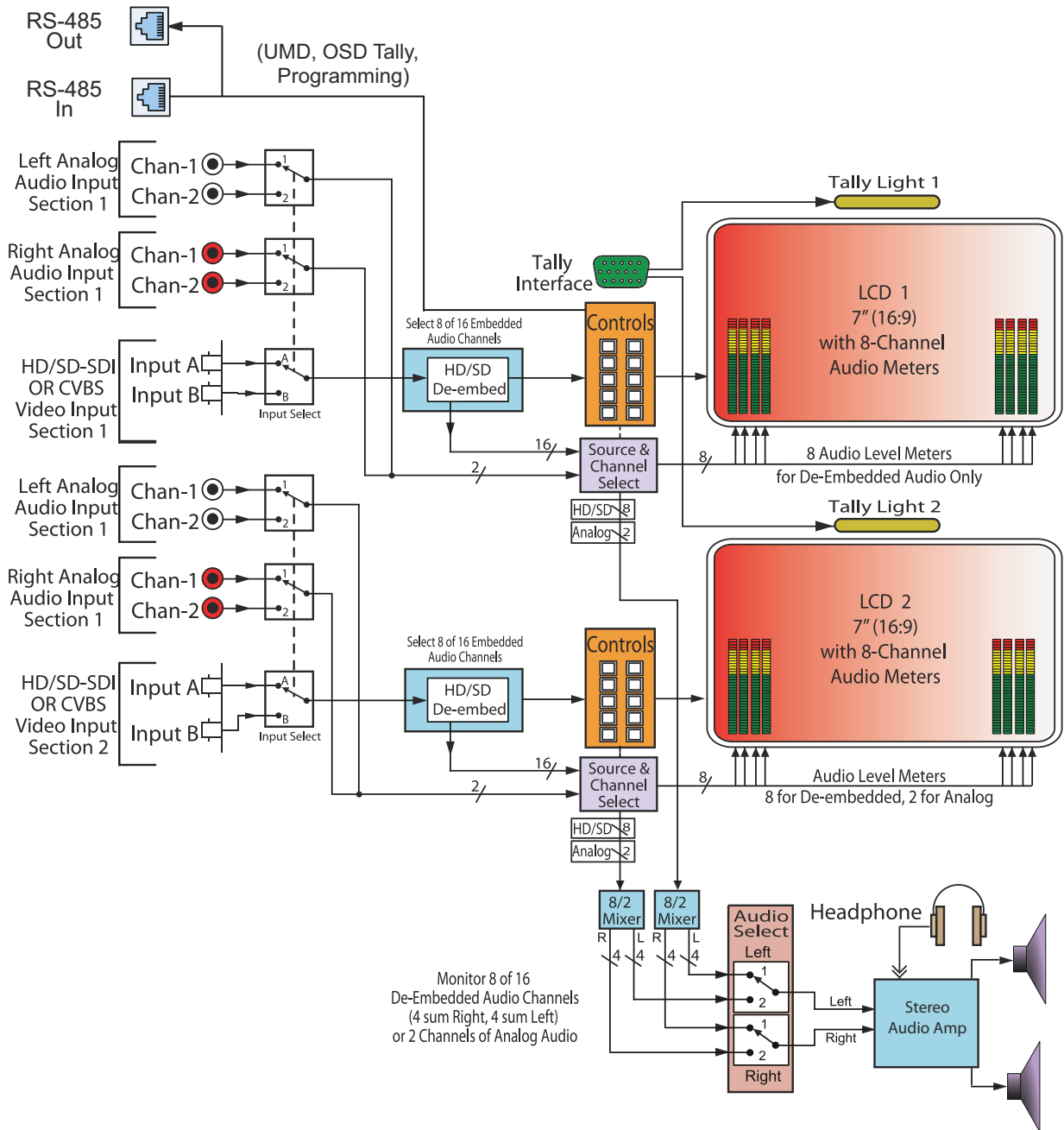


Figure 1-9 RM-3270W-2HD Block Diagram



RM-3270W HD Series User Guide
Technical Functional Overview