

# 20" HD/SD-SDI Video Monitor

RMT-200-HD



Full feature set, cost effective, reliable 20" HD/SD-SDI video monitor with in-screen audio level meters vectorscope, and waveform

The RMT-200-HD monitor is an ideal solution for viewing many different types of HD/SD-SDI (up to 1080i and 720p) or analog video and computer input. Perfect for the many feeds in mobile trucks, news and transmission control rooms, duplication, and post production applications.

Using TFT/LCD screens, a perfect medium is reached in the scaling and interpolation process, providing superb imaging regardless of video format. This monitor comes with many in-monitor display features including in-screen labeling, tally, time-code, closed captioning, format display, waveform, vectorscope and safe area/title display markers.

The RMT-200-HD also provides a host of audio tools including level metering and built-in speaker monitoring of its dual stereo analog inputs or SDI embedded audio.

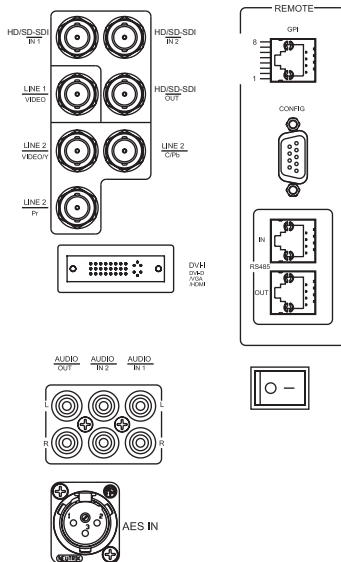
#### Benefits:

- User-defined hot key functionality provides either H/V delay, underscan, on-screen display, and more
- On-screen level meters provide confidence audio monitoring
- Tally and on-screen labeling provide quick and easy signal identification
- CRT-style image controls allow video image enhancement for each screen individually

#### Features:

- In-picture level metering, waveform, and vectorscope display
- Labelling, tally, timecode, safe area and title markers
- Full gamma color calibration
- Built-in color bars
- Headphone and / or speaker outputs
- User-defined function buttons
- Intuitive on-screen menu
- Closed captioning for CVBS signals

## Rear Panel



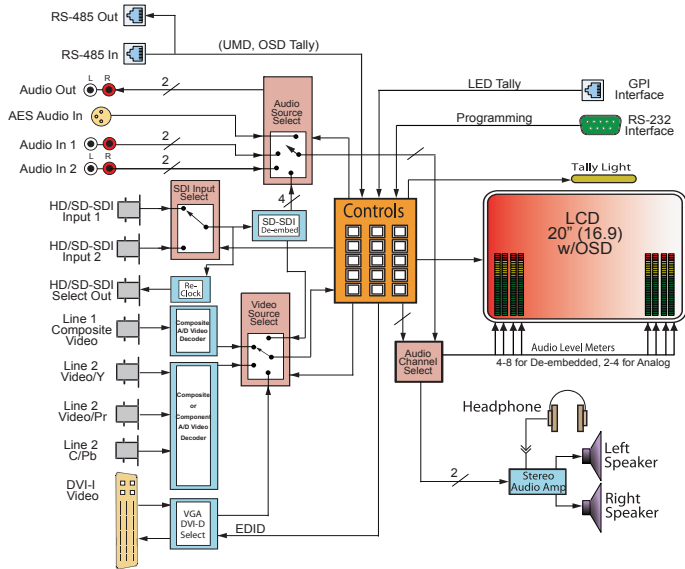
# 20" HD/SD-SDI Video Monitor

RMT-200-HD

RMT-200-HD-TT 20.1" LCD Video Monitor, HD/SD-SDI/Composite/S-Video/Component/VGA/DVI-D/HDMI, Analog Audio with Adjustable Tabletop Mount

RMT-200-HD-RM 20.1" LCD Video Monitor, HD/SD-SDI/Composite/S-Video/Component/VGA/DVI-D/HDMI, Analog Audio with Adjustable VESA Rackmount

## Block Diagram



## Inputs

- 2 HD/SD-SDI
- 1 DVI-I/DVI-D/VGA
- 1 Composite CVBS
- 1 Component (Y/C & YPbPr)
- 2 RCA Analog Audio Stereo Input Pairs
- 1 Balanced AES

## Outputs

- 1 Reclocked HD/SD-SDI
- 1 RCA Analog Audio Stereo Output Pair
- 1 Headphone

## Specifications

[View complete list of specifications online at wohler.com](http://www.wohler.com)

Dimensions (W x H x D)	19.4" x 14.5" x 7.5" (492 mm x 369 mm x 190 mm)
Shipping Weight / Net Weight	26 lbs (11.7 kg) / 21 lbs (9.5 kg)
Space Requirements	9RU / 10RU with Rack Kit in a standard 19" rack
Accessories Included	AC power cord, adjustable tabletop mount included
Power Connector	AC power adapter (100-240VAC to 12 VDC)
Power Requirements	Power to the unit connects to mains power (100 to 240 VAC ± 10%, 50/60Hz)
Power Consumption	40W
Display Type	Active color matrix amorphous 20", LCD TFT screen
Display Size	20" Diagonal
Aspect Ratio	16:9 native 4:3 selectable
Active Viewing Area	17.1" H x 10.7" V (433 mm H x 271 mm V)
Resolution	1680 x 1050
Luminance	400 cd/m <sup>2</sup>
Colors	16.7 million
Contrast	700:1
Pixel Pitch	0.258 mm H x 0.258 mm Y
Pixel Response	<6.5ms off-on-off (black to white to black)

**Wohler Technologies, Inc.**  
 Worldwide Headquarters  
 31055 Huntwood Avenue  
 Hayward, CA 94544 USA  
 Phone: +1 510 870 0810  
 Fax: +1 510 870 0811  
 Email: sales@wohler.com

**Wohler Technologies/APAC**  
 45/F, The Lee Gardens  
 33 Hysan Avenue  
 Causeway Bay, Hong Kong  
 Phone: +852 3180 2240  
 Fax: +852 3180 2299  
 Email: salesasia@wohler.com

**Wohler Technologies/Australia**  
 PO Box 14  
 South Hurstville  
 NSW 2221, Australia  
 Phone: +61 2 8005 1899  
 Fax: +61 2 9547 0674  
 Email: salesAustralia@wohler.com

**Wohler Technologies/EMEA**  
 Unit E, Room 3  
 Renshaw Industrial Estate  
 Mill Mead, Staines TW18 4UQ, UK  
 Phone: +44 (0) 2081 236 658  
 Fax: +44 (0) 208 181 6500  
 Email: salesEMEA@wohler.com