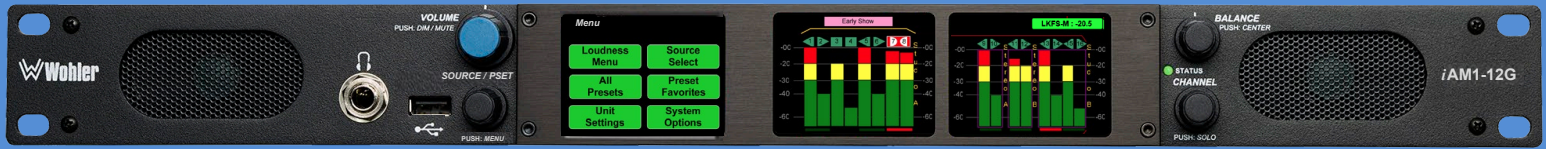


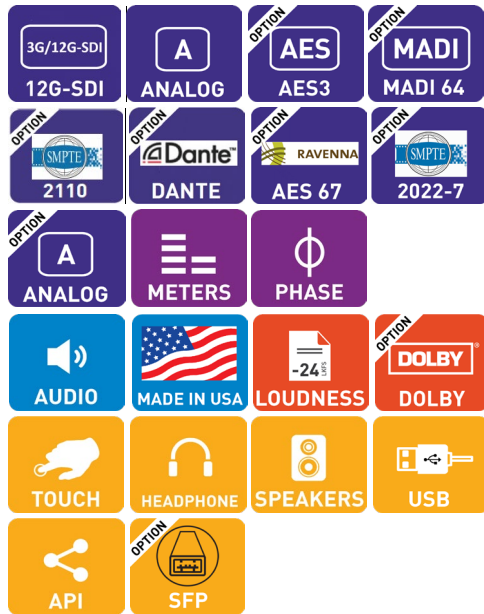
# iAM1-12G



12G-SDI & Analog Audio Monitoring & Metering with Optional Signal Upgrades



16 channel 12G-SDI audio-only monitor that includes Analog, plus options to license additional input signals.



The new iAM1-12G is a well featured, easy to use, competitively priced 16 channel IP ready audio monitor which comes standard with 12G-SDI and Analog inputs, loudness monitoring and phase status. Developed as a direct result of customer feedback, it shares many of the same features as our iAM-AUDIO-1 PLUS. License other signal formats and processing options, including Dolby, AoIP, Toslink and 8 channel Analog, as and when needed, either initially or after purchase.

**Flexible. Adaptable. Future Proof.**

iAM1-12G is designed to be easy to operate, providing fast access to meters, menus and presets. Options for additional signals, including **AES3**, **MADI64**, **Dante™**, **Ravenna™**, **SMPT-2110** and **SMPT-2022-7**.

All iAM Series monitors contain an onboard web server. Multiple units on the same network can be updated, monitored and controlled via a browser-based user interface that supports fast configuration with role-based authentication that protects critical configurations from unauthorized alteration.

**Features/Benefits:**

- Audio monitoring (up to 16 channels) from multiple sources
- Up to 64 presets
- 2 x 12G-SDI Inputs on BNC; 1 x 12G-SDI Output on BNC + 1 pair Analog in/out on XLR
- Optional Output routing enables the flexibility to route input signals to various outputs
- Optional I/O for AES3 on HD-15 (incl selected audio source converted to AES3 out), MADI on BNC (looped out), and SMPTE 2110 or SMPTE 2022 via SFP
- Measure Audio Loudness using ITU-R BS.1770 or EBU R128 standards
- Phase status
- Phase status + Measure Audio Loudness using ITU-R BS.1770 or EBU R128 standards
- Software upgradeable via USB or network
- APIs for remote management

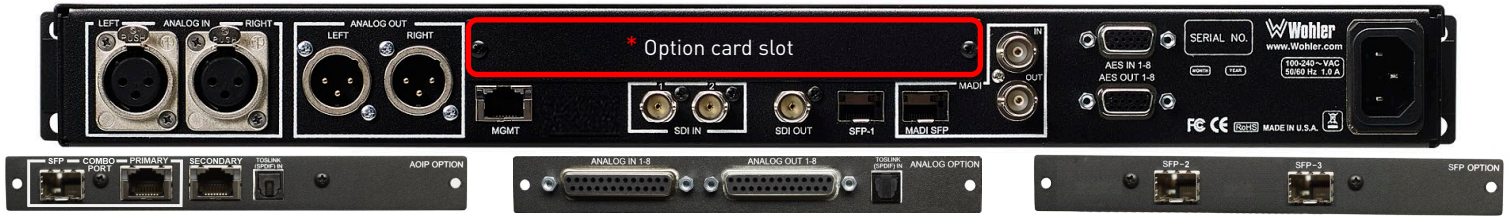
Model	Part ID	Description
iAM1-12G (Base Unit)	8114-0600	1RU Base unit, includes SDI & Analog as standard
<b>I/O Options</b>		
OPT-AES	829080	Enables decoding and monitoring of 4 x AES inputs, 1 AES Output
OPT-MADI	829092	Enables decoding and monitoring of 1 x MADI64 input via BNC
OPT-DOLBY (iVAM/iAM AUDIO-3G/12G)	829174	Allows decoding and monitoring of Dolby® D, DD+ & E. Includes Dolby zoom & metadata
SFP-MM or SM-MADI-FIBER	829081/822	MADI fiber transceiver, Multimode or Singlemode; LC Connectors. Use 829082 for SM
SFP-SDI	829089	3G/HD/SD-SDI single video receiver w/ active loopback, HD-BNC
SFP-SDI-Fiber	829084	12G/3G/HD/SD-SDI or ASI single receiver w/ active loopback, HD-BNC
SFP-2110 w/Ember+ or NMOS	829086/-1	Receiver; Multi-Mode 850 NM, LC Connectors. Use 829086-1 for NMOS variant
SFP-2022	829088	Receiver; LC Connectors
SFP-2110 w/Ember+ or NMOS +2022-6	829087/-1	Either-Or; Multi-Mode 850 NM, LC Connectors. Use 829087-1 for NMOS variant
OPT-OUTPUT ROUTING	829159	Enables the flexibility to route input signals to various outputs
<b>Option Cards</b>		
OPT-ANLG/TOS (iVAM & iAM-AUDIO)	829170	Enable monitoring of 8 Analog channels on DB-25. TOSLINK included.
OPT-SFP Card (iVAM)	829179	Adds two additional 3G inputs to 3G products, or two 12G inputs to 12G products
OPT-DANTE	829171	This AoIP option card enables decoding and monitoring of up to 64 ch of Dante™ OR up to 64 Ch Ravenna™ / AES67/ 2110-30 Input streams (with NMOS Support). These option cards provide 2 x RJ-45 ports for 2022-7 support (for Dante, Ravenna, AES67 and 2110-30) + SFP cage allowing MM and SM SFP's as an alternate primary for AoIP Signals. TOSLINK included in both cards.
OPT-Ravenna	829172	



# iAM1-12G



## 12-SDI & Analog Audio Monitoring & Metering with Optional Signal Upgrades Rear Panel & Option Cards



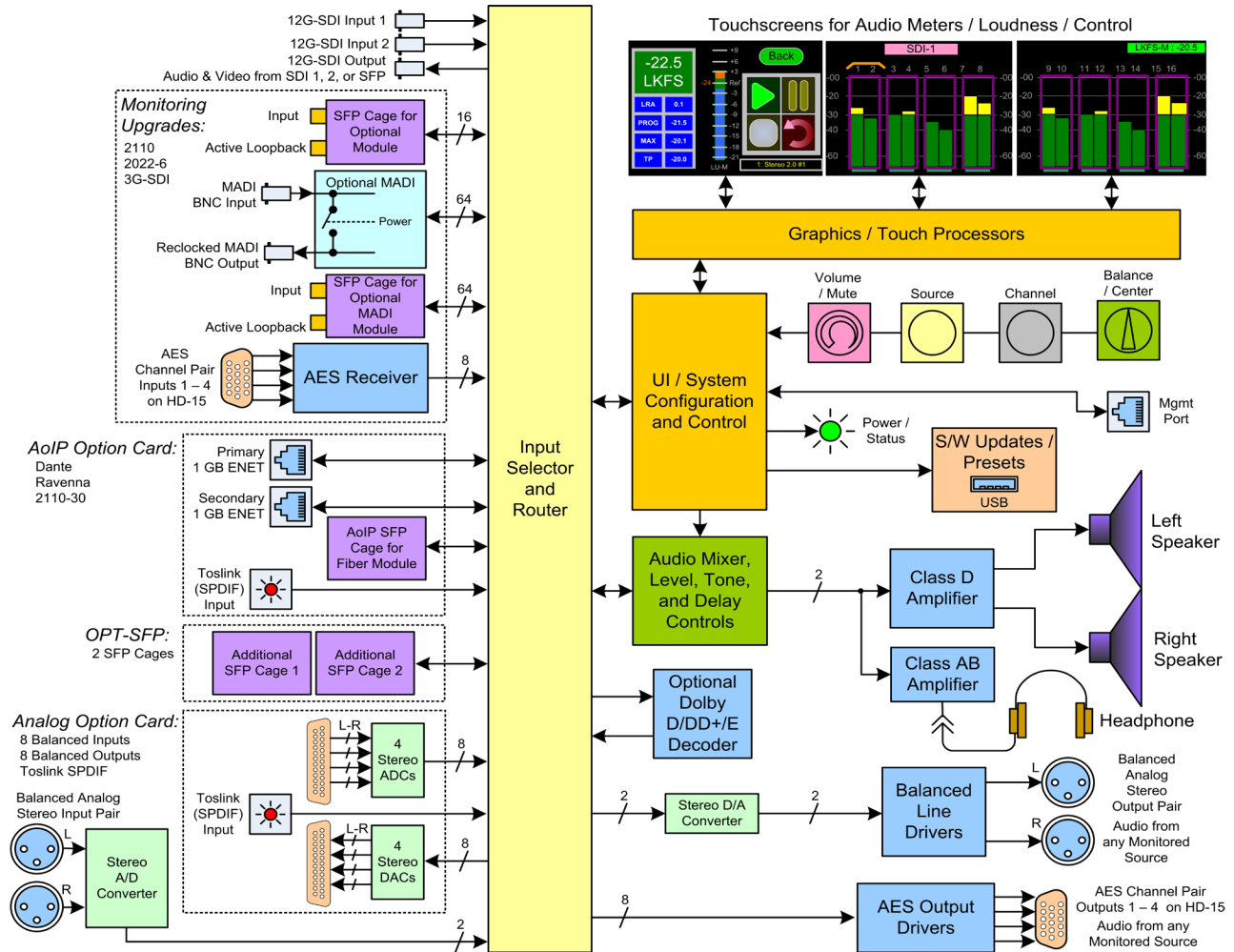
OPT-DANTE & OPT-RAVENNA

OPT-ANLG/TOS

OPT-SFP CARD

\* Only 1 x OPT-DANTE/RAVENNA, 1 x OPT-iVAM-ANALOG or 1 x OPT-SFP CARD may be fitted at one time.

### Block Diagram



Specifications	
Dimensions (W x H x D)	1RU in standard 19" rack: 19" x 1.75" x 5.5" (483 mm x 45 mm x 140 mm). Shipping dims: 23" x 6" x 12"
Shipping Weight / Net Weight	8.0 lbs. (3.6 kg) / 5.5 lbs. (2.5 kg)
Power Consumption / Supply	65W, 100 to 240 VAC ± 10%, 50-60 Hz, CE & UL approved
Display Type / Resolution	2.4" (60 mm) LCD Capacitive Touchscreen; 320H x 240V
Viewing Angle	160 (H) x 160 (V)
Audio Channels	16 Max
Hum and Noise	Better than -68 dB below full output
Peak Acoustic Output	90 dB SPL @ 2 feet
Speaker Power Output	5W RMS per side, 12W Peak
Upgrades	Via USB or GUI web interface
APIs	Provide easy integration with 3 <sup>rd</sup> party control systems

Specifications subject to change, errors and omissions excepted  
All trademarks, product names and images are the property of their respective owners  
Any rights not expressly granted herein are reserved. REV: 2/14/2023