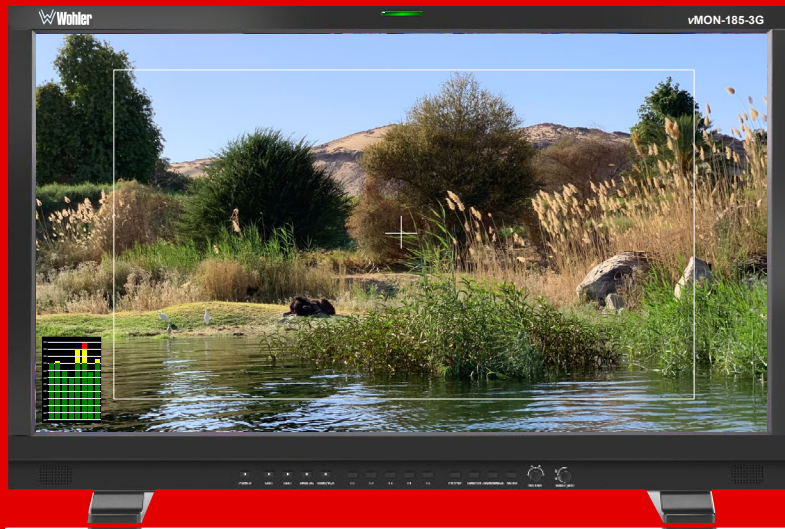


# vMON-185-3G

18.5" 3G/HD/SD-SDI, HDMI Video Monitor



Fully featured, slim and cost effective 18.5" free standing 2K video monitor with on-screen audio level meters, waveform, and histogram.



Order Part Number:

vMON-185-3G 8006-0100

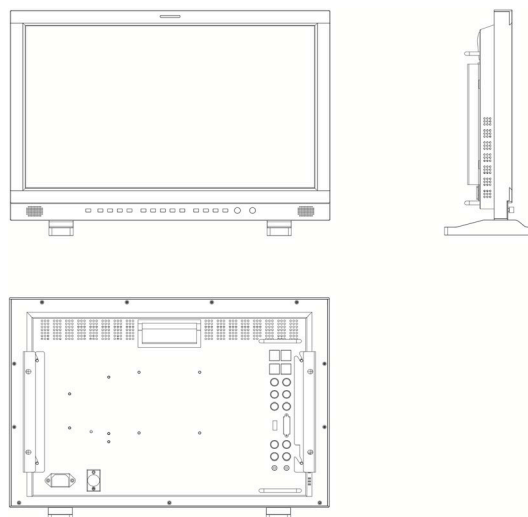
The vMON Series is a full-featured range of slim, free standing video monitors ideal for mobile trucks, news and transmission control rooms, production/post-production and video surveillance applications. These monitors come standard with in-monitor level metering, selectable video vectorscope/histogram, safe area and aspect ratio markers, IMD labeling, tally, and built-in color bars, as well as a variety of picture controls and productive video features such as zoom controls and focus assist.

The vMON-185-3G is an 18.5" 4K HDR monitor with 2x3G/HD/SD-SDI and 1xYPbPr/Video/Y/C, 1xDVI-I, and 1xHDMI Inputs and 2x3G/HD/SD-SDI and 1xYPbPr/Video/Y/C outputs. It supports a variety of professional broadcasting features such as Waveform, Vectors, Pixel Measurement, and Darkness Check, making vMON-185-3G a brilliant 18.5 inch monitor in a 2K production workflow.

All standard frame rates and resolutions are supported from 3G-SDI, HDMI, and composite input sources, and each SDI and composite input has a looping output. Up to 16 audio channels may be selected for visual monitoring using on-screen bar graph style level meters. Monitoring speakers on the front panel allow the selected screen to be audibly monitored, while a 3.5mm headphone jack provides optional private monitoring.

The vMON-185-3G contains a large array of Features and Benefits as listed in the table on the following page.

## Enclosure

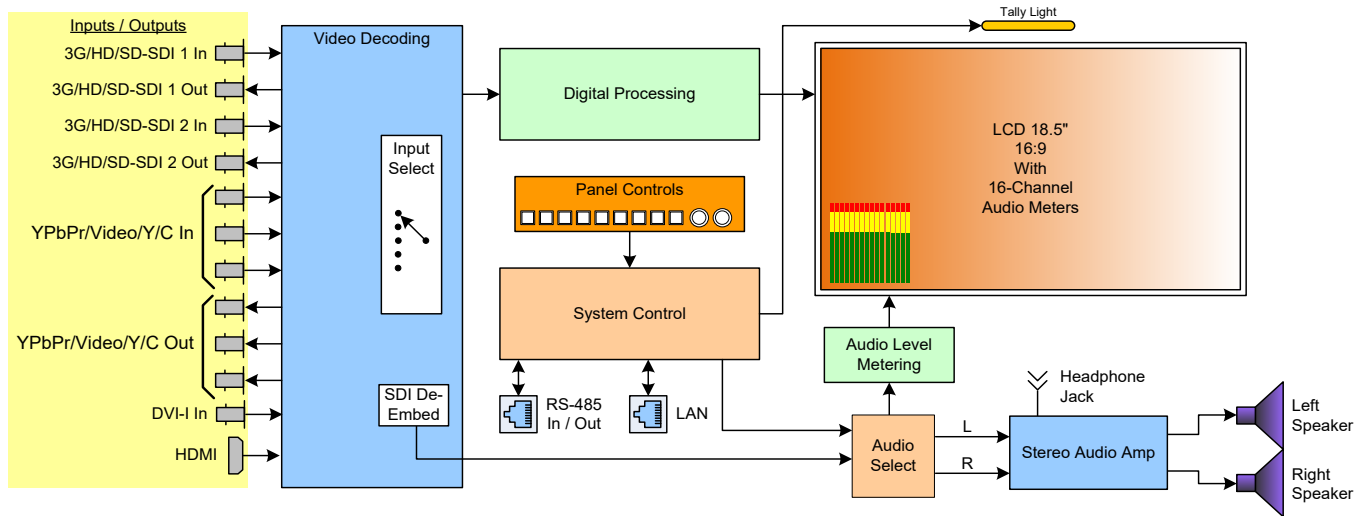


# MON-185-3G

18.5" 3G/HD/SD-SDI, HDMI Video Monitor



## Block Diagram



## Specifications

Specifications	
<b>Video Inputs:</b>	2 x BNC 3G/HD/SD-SDI, 3 x BNC YPbPr/Video/Y/C, 1 x HDMI, 1 x DVI-I
<b>Video Outputs</b>	2 x BNC looped 3G/HD/SD-SDI, 3 x YPbPr/Video/Y/C
<b>Audio Outputs</b>	1 x 3.5mm stereo headset jack
<b>Screen Size / Display Area</b>	18.5" diagonal per screen / 409.6 mm (H) x 230.4 mm (V)
<b>Backlight</b>	LED
<b>Video Display Resolution</b>	1920(H) x 1080(V)
<b>Luminance</b>	350 cd/m <sup>2</sup>
<b>Contrast</b>	1000:1
<b>Color Depth</b>	16.7 million
<b>OSD Audio Meters</b>	2-16 channels for each display window (source dependent)
<b>Features/Benefits</b>	<ul style="list-style-type: none"> <li>- 1920 x 1080 resolution, 8 Bit LCD Panel</li> <li>- 12 Bit Video Processing, no image delay</li> <li>- 3G-SDI 4:4:4 12bit signals (SMPTE 425M A/B)</li> <li>- 2x2K/3G-SDI inputs and outputs(2K/3G/HD/SD-SDI auto detect)</li> <li>- 1x HDMI input, 1x DVI-I input, 1x composite video input</li> <li>- PBP/PIP(size/position adjustable)</li> <li>- Audio Level Meter, Blue/Mono Only</li> <li>- Waveform, Vectorscope for SDI1, SDI2, HDMI/DVI</li> <li>- Picture Flip, Focus Assist</li> <li>- False Color, Zebra</li> <li>- Part Zoom In</li> <li>- Pixel Measurement and Audio Phase</li> <li>- H/V Delay, Over Scan, Markers</li> <li>- Darkness Check</li> <li>- HDR supports PQ (ST2084) and HLG(1.0,1.1, 1.2, 1.3, 1.4, 1.5)</li> <li>- 3D LUT Color calibration with ColourSpace &amp; CalMAN</li> <li>- Color space: REC709/EBU/DCI-P3 D65/DCI-P3/REC2020/USER1/USER2/Bypass</li> <li>- Support user 3D LUT files import</li> <li>- Various Gamma selection: Gamma 2.0, 2.2, 2.4, 2.6</li> <li>- EOTF Log Curves: Slog(SDR), Slog2(SDR), Slog3(SDR), Slog3(HDR)</li> <li>- Remote control: Ethernet/GPI, RS422 In/Out</li> <li>- Dynamic UMD(TSL3.1/4.0)</li> <li>- LED Tally Light and On-screen Tally display - 3G/HD/SD-SDI auto detect</li> <li>- F-key configuration and Key Lock function</li> <li>- Built-in Speakers</li> </ul>
<b>Power Requirements</b>	100 – 240 VAC or 12 VDC; 36W
<b>Dimensions (W x H x D), Weight</b>	17.4" x 13.2" x 5.9" (441mm x 334mm x 150mm); 12.9 lbs (5.85 kgs)

Specifications subject to change, errors and omissions excepted  
 All trademarks, product names and images are the property of their respective owners  
 Any rights not expressly granted herein are reserved.

Wohler Technologies, Inc.  
 1280 San Luis Obispo Ave., Hayward, CA, 94544, USA  
 +1 510 870 0810 | sales@wohler.com | www.wohler.com