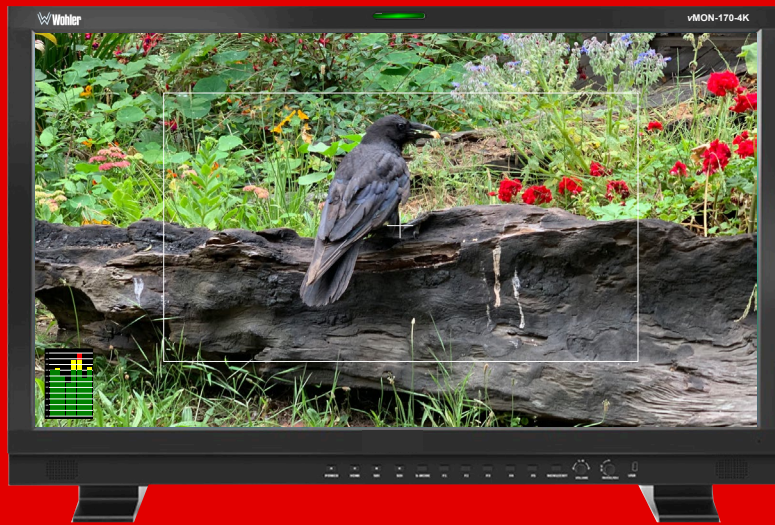
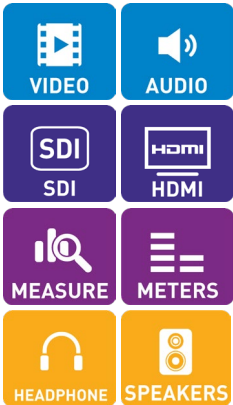


vMON-170-4K

17.3" 12G/6G/3G/HD/SD-SDI, HDMI Video Monitor



Fully featured, slim and cost effective 17" free standing 4K video monitor with on-screen audio level meters, quad split, waveform, and histogram.



Order Part Number:
vMON-170-4K 8006-0200

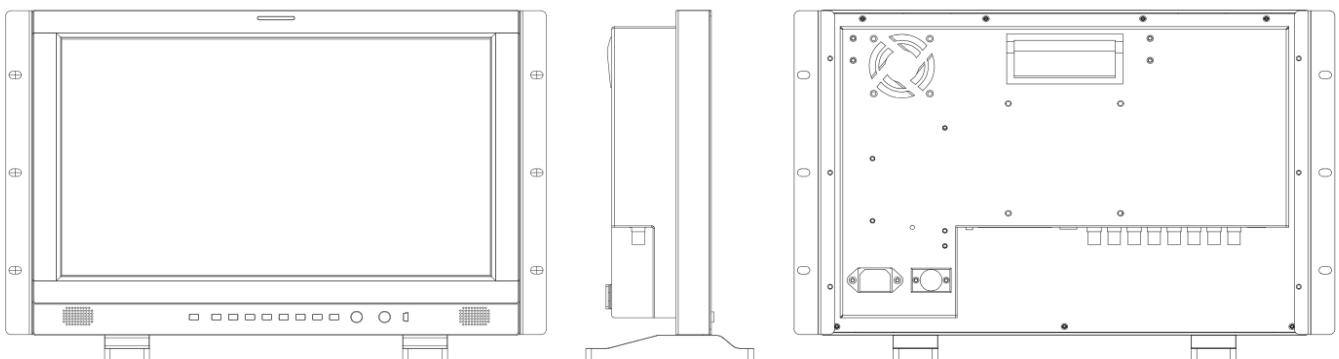
The vMON Series is a full-featured range of slim, free standing video monitors ideal for mobile trucks, news and transmission control rooms, 4K production/post-production and video surveillance applications. These monitors come standard with in-monitor level metering, selectable video vectorscope/histogram, safe area and aspect ratio markers, IMD labeling, tally, and built-in color bars, as well as a variety of picture controls and productive video features such as zoom controls and focus assist.

The vMON-170-4K is a 17" 4K HDR monitor with 2x12G/6G/3G/HD/SD-SDI and 2x3G/HD/SD-SDI inputs and outputs. It supports a large variety of professional broadcasting features such as Quad Split, Waveform, Histogram, Darkness Check, making vMON-170-4K a brilliant 17 inch monitor in 4K production workflow.

All standard frame rates and resolutions are supported from 12G-SDI, 6G-SDI, 3G-SDI, and HDMI input sources, and each SDI input has a looping output. Up to 16 audio channels may be selected for visual monitoring using on-screen bar graph style level meters. Monitoring speakers on the front panel allow the selected screen to be audibly monitored, while a 3.5mm headphone jack provides optional private monitoring.

The vMON-170-4K contains a vast array of Features and Benefits as listed in the table on the following page.

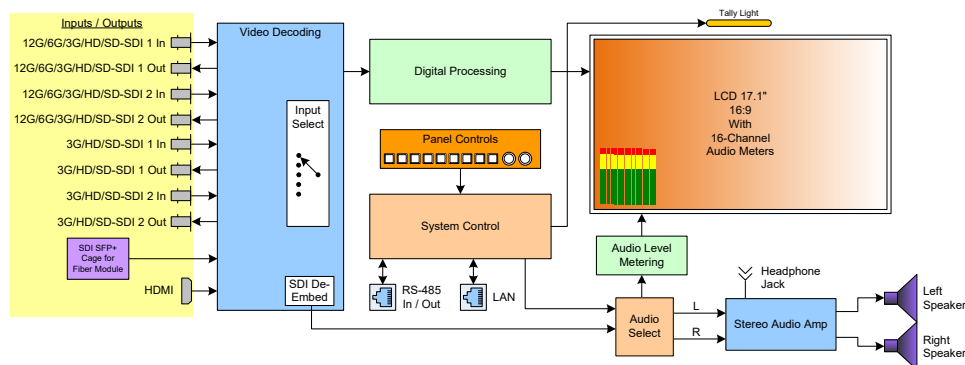
Enclosure



MON-170-4K

17.1" 12G/6G/3G/HD/SD-SDI, HDMI Video Monitor

Block Diagram



Specifications

Specifications	
Video Inputs:	2 x BNC 12G/6G/3G/HD/SD-SDI, 2 x BNC 3G/HD/SD-SDI, 1 x HDMI 2.0, 1 x SDI SFP+ input cage for optical module
Video Outputs	2 x BNC looped 12G/6G/3G/HD/SD-SDI, 2 x BNC looped 3G/HD/SD-SDI
Audio Outputs	1 x 3.5mm stereo headset jack
Screen Size / Display Area	17.3" diagonal per screen / 382.8 mm (H) x 215.4 mm (V)
Backlight	LED
Video Display Resolution	3840(H) x 2160(V) 4K
Luminance	400 cd/m ²
Contrast	1000:1
Color Depth	16.7 million
OSD Audio Meters	2-16 channels for each display window (source dependent)
Features/Benefits	<ul style="list-style-type: none"> - 3840 x 2160 4K resolution - 12 Bit Video Processing, no image delay - 12G/6G/3G/HD/SD-SDI auto detect - 4K 12G-SDI single link signal, 4K Quad link 2 Sample Interleave (2SI), Square Division (SQD) - 1 x SDI SFP+ module optical input cage, 1 x HDMI 2.0 input - Free Quad-View (border control/window adjustment), 4 x SDI/HDMI mixed inputs & frequency rates - 16 ch Embedded Audio Level Meters - 4K HDR Waveform, Vector Scope, Marker/Box Control Function - Picture Flip, Focus Assist, False Color, Zebra - Full Scan, Over Scan, Blue/Mono Only - Key Lock, Video Freeze - SDR and HDR comparison, Darkness Check - Color Space & EOTF Curves Auto Sensing, matching (REC709/REC2020) - Color Space (REC709/EBU/DCI-P3 D65/DCI-P3/REC2020/Bypass) - HDR: PQ (ST2084), HLG (1.0, 1.1, 1.2, 1.3, 1.4, 1.5) - Sony Camera Log Curves: Slog, Slog2, Slog3 - Canon Camera Log Curves: Clog, Clog2, Clog3 - ARRI Camera Log Curves: LogC - Panasonic Camera Log Curves: Vlog, Vlog (softroll) - Gamma (2.0, 2.2, 2.4, 2.6), HDR Area Display - 3D LUT Color calibration with ColourSpace & CalMAN - 3rd party 3D LUT files import (USER1/USER2) - Eight Selectable Scene Settings - Dynamic and Static UMD/IMD Display (TSL3.1/4.0/5.0) - 608/708 CC Closed Caption - Firmware upgrade/LUT file import via USB/Ethernet - GPI (selectable/markable windows) - Built-in Speakers
Power Requirements	100 – 240 VAC or 12 VDC; 50W
Dimensions (W x H x D), Weight	17.1" x 12.6" x 5.9" (433mm x 321mm x 150mm); 11.7 lbs (5.3 kgs)

Specifications subject to change, errors and omissions excepted
 All trademarks, product names and images are the property of their respective owners
 Any rights not expressly granted herein are reserved.

Wohler Technologies, Inc.
 1280 San Luis Obispo Ave., Hayward, CA, 94544, USA
 +1 510 870 0810 | sales@wohler.com | www.wohler.com