

vMON-240-3G2

24" 3G/HD/SD-SDI, HDMI Video Monitor



Fully featured, slim and cost effective 24" free standing 2K video monitor with on-screen audio level meters, waveform, and histogram.



Order Part Number:
vMON-240-3G2 8006-0110

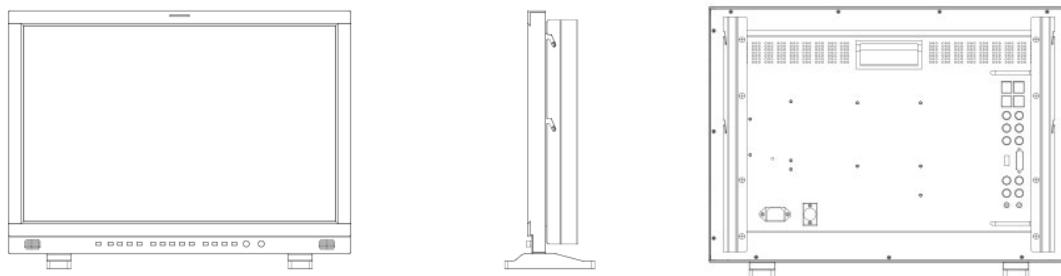
The vMON Series is a full-featured range of slim, free standing video monitors ideal for mobile trucks, news and transmission control rooms, production/post-production and video surveillance applications. These monitors come standard with in-monitor level metering, selectable video vectorscope/histogram, safe area and aspect ratio markers, IMD labeling, tally, and built-in color bars, as well as a variety of picture controls and productive video features such as zoom controls and focus assist.

The vMON-240-3G2 is an 24" 3G monitor with 2x3G/HD/SD-SDI and 1xYPbPr/Video/Y/C, 1xDVI-I, and 1xHDMI Inputs and 2x3G/HD/SD-SDI and 1xYPbPr/Video/Y/C outputs. It supports a variety of professional broadcasting features such as Waveform, Vectors, Pixel Measurement, and Darkness Check, making vMON-240-3G2 a brilliant 24 inch monitor in a 2K production workflow.

All standard frame rates and resolutions are supported from 3G-SDI, HDMI, and composite input sources, and each SDI and composite input has a looping output. Up to 16 audio channels may be selected for visual monitoring using on-screen bar graph style level meters. Monitoring speakers on the front panel allow the selected screen to be audibly monitored, while a 3.5mm headphone jack provides optional private monitoring.

The vMON-240-3G2 contains a large array of Features and Benefits as listed in the table on the following page.

Enclosure

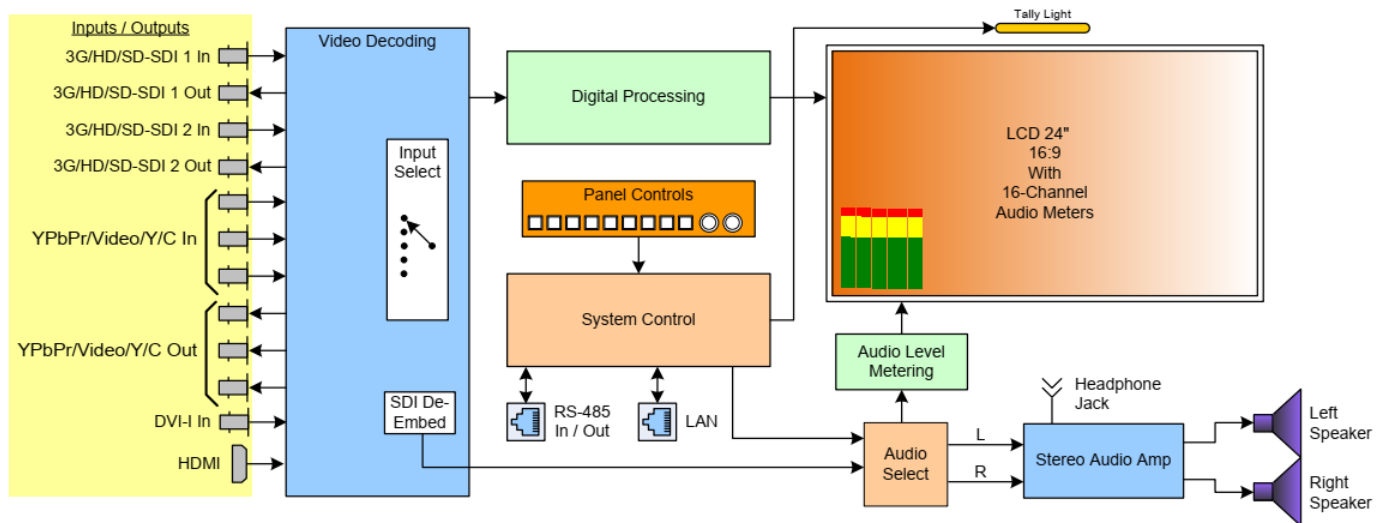


MON-240-3G2

24" 3G/HD/SD-SDI, HDMI Video Monitor



Block Diagram



Specifications

Specifications	
Video Inputs:	2 x BNC 3G/HD/SD-SDI, 3 x BNC YPbPr/Video/Y/C, 1 x HDMI, 1 x DVI-I
Video Outputs	2 x BNC looped 3G/HD/SD-SDI, 3 x YPbPr/Video/Y/C
Audio Outputs	1 x 3.5mm stereo headset jack
Screen Size / Display Area	24" diagonal per screen / 527 mm (H) x 296.5 mm (V)
Backlight	LED
Video Display Resolution	1920(H) x 1080(V)
Luminance	250 cd/m ²
Contrast	1000:1
Color Depth	16.7 million
OSD Audio Meters	2-16 channels for each display window (source dependent)
Features/Benefits	<ul style="list-style-type: none"> - 1920 x 1080 resolution, 8 Bit LCD Panel - 12 Bit Video Processing, no image delay - 3G-SDI 4:4:4 12bit signals (SMPTE 425M A/B) - 2x2K/3G-SDI inputs and outputs(2K/3G/HD/SD-SDI auto detect) - 1x HDMI input, 1x DVI-I input, 1x composite video input - PBP/PIP(size/position adjustable) - Audio Level Meter, Blue/Mono Only - Waveform, Vectorscope for SDI1, SDI2, HDMI/DVI - Picture Flip, Focus Assist - False Color, Zebra - Part Zoom In - Pixel Measurement and Audio Phase - H/V Delay, Over Scan, Markers - Darkness Check - 3D LUT Color calibration with ColourSpace & CalMAN - Remote control: Ethernet/GPI, RS422 In/Out - Dynamic UMD(TSL3.1/4.0) - LED Tally Light and On-screen Tally display - 3G/HD/SD-SDI auto detect - F-key configuration and Key Lock function - Built-in Speakers
Power Requirements	100 – 240 VAC or 12 VDC; 32W
Dimensions (W x H x D), Weight	22.7" x 15.7" x 5.9" (578mm x 401mm x 150mm); 16.3 lbs (7.4 kgs)