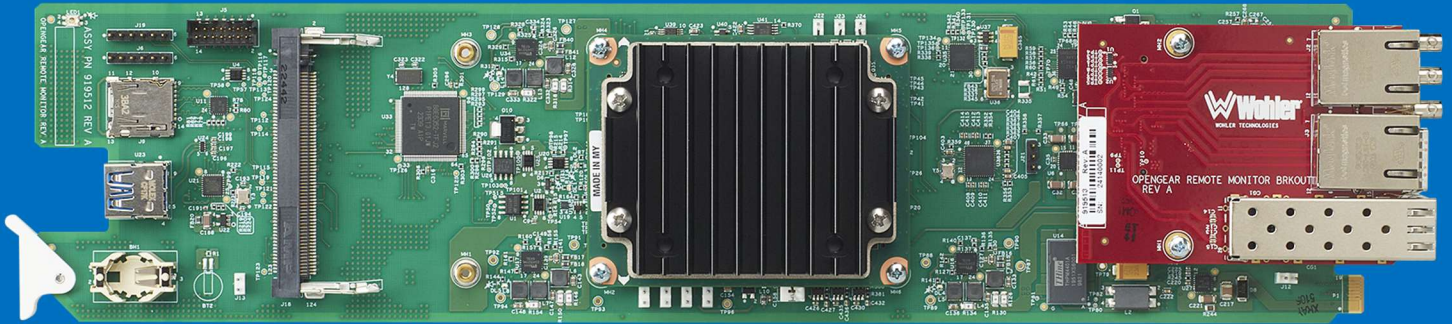


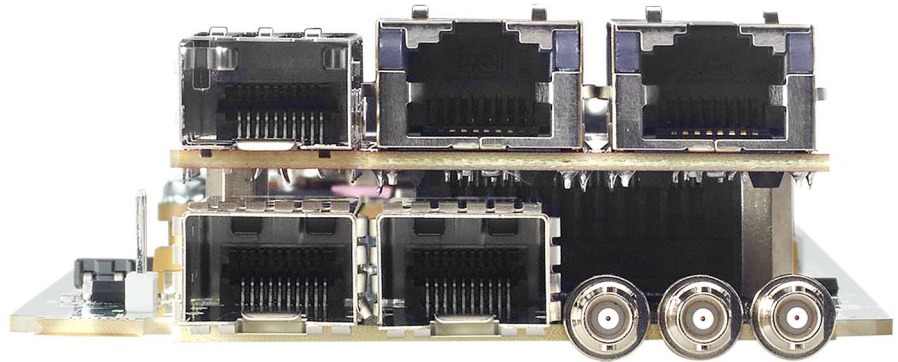
RMoG-12G



12G-SDI Remote Monitor in openGear form factor with options for 2110, Dante and Ravenna



Wohler monitor in openGear form factor that ships standard with 12G SDI I/O and can be accessed via remote GUI in place of traditional front panel.



A Wohler monitor in an openGear Form Factor

Don't be concerned with the different look. It's the same high-quality Wohler monitor, but without the chassis and without the front panel. This unit is for situations where a local operator is not necessary. Access the I/O, with all the familiar Wohler bells and whistles, remotely via GUI. Meters, loudness, Dolby, signal information and lots of other things available over the network.

It's also compatible with MAVRIC for remote streaming of audio and video, automated alerts, etc.

Features/Benefits:

- 2 x 12G-SDI Inputs on HD-BNCs with selected output on HD-BNC
- Monitor via Remote GUI with access to meters, loudness and signal information.
- Automatic frame rate detection and selection
- Software upgradeable via network
- Remote GUI also used for configuration and preset creation
- Optional upgrades for additional SDI, 2110, 2022-6 and hitless Ravenna or Dante



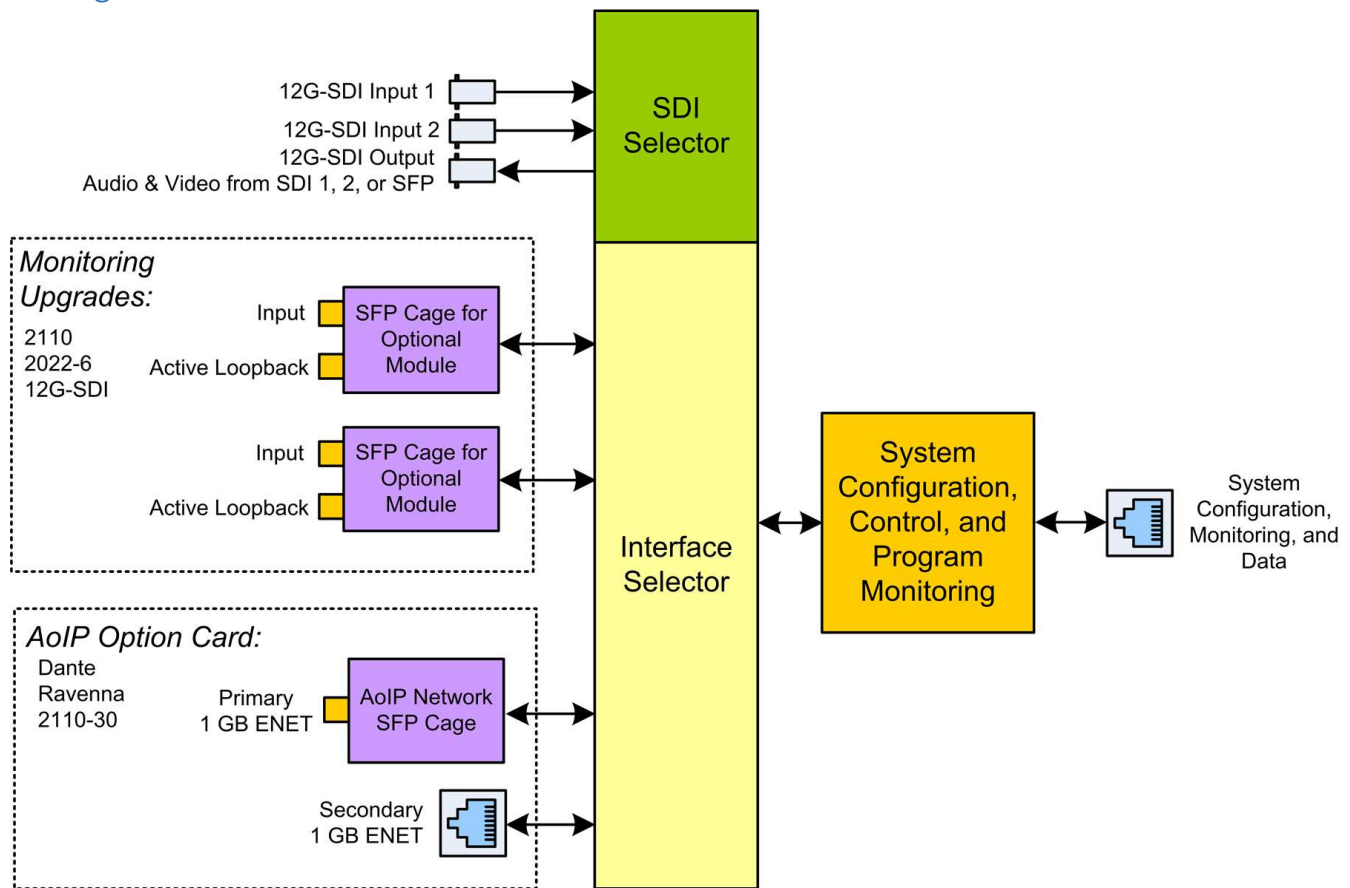
RMoG-12G



12G-SDI Remote Monitor in openGear form factor with options for 2110, Dante and Ravenna

Model	SKU	Description
RMoG-12G-SDI	8140-0200	openGear form factor Wohler Monitor. Ships standard with 2 x 12G SDI Inputs with selected 12G-SDI output. Options available for 2110, 2022-6 and hitless Dante/Ravenna.
I/O Options		
SFP-12G-SDI Fiber	829160	12G, 3G/HD/SD-SDI single mode Optical LC (fiber) video receiver
SFP-2110	829086-2	Receiver; Multi-Mode 850 NM, LC Connectors. Ships standard with NMOS, but can be set to Ember+
SFP-2110+2022-6	829087-2	Either-Or; Multi-Mode 850 NM, LC Connectors. Ships standard with NMOS, but can be set to Ember+
SFP-2022-6	829088	Receiver; LC Connectors
Option Cards		
OPT-DANTE OPT-Ravenna	829192 829193	This AoIP option card enables decoding and monitoring of up to 64 ch of Dante™ OR Ravenna™ / AES67 / 2110-30 Input streams with NMOS Support. These option cards provide 1 x SFP cage for Primary connection and 1 x RJ-45 port for 2022-7 support.

Block Diagram



Specifications	
Shipping Weight / Net Weight	2.0 lbs. (.90 kg) / 1.0 lbs. (.45 kg)
Power Requirements	Receives power from frame: 9 to 15V DC (12V Nominal)
Power Consumption / Supply	Nominally 10W, 100 to 240 VAC ± 10%, 50-60 Hz, CE & UL approved
Supported Frames	openGear /2RU Enclosure OG3-FR and OGX-FR Supported Frames
Audio Channels	16 Max
Upgrades	Via GUI web interface
APIs	Provide easy integration with 3 rd party control systems

Specifications subject to change, errors and omissions excepted
 All trademarks, product names and images are the property of their respective owners
 Any rights not expressly granted herein are reserved. Rev: 02/08/24