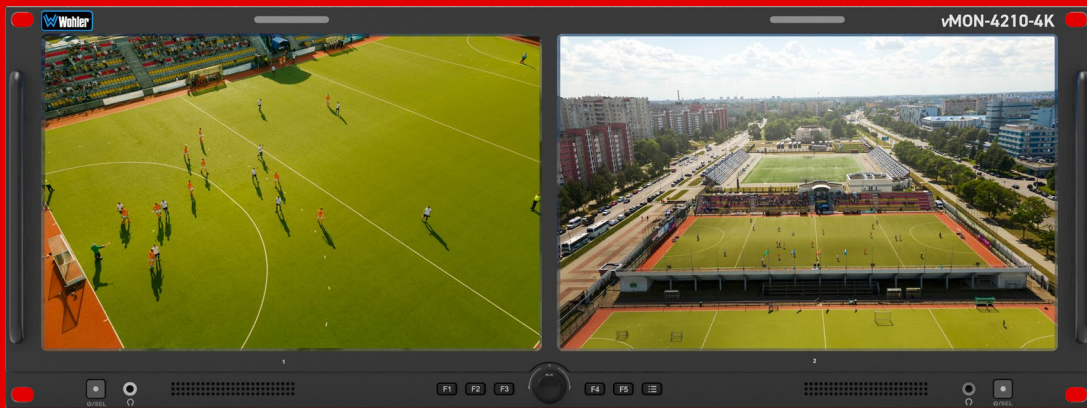


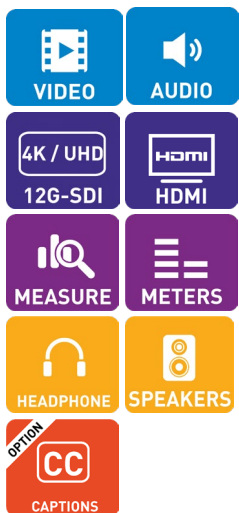
# vMON-4210-4K

Dual 10.1" 12G/6G/3G/HD/SD-SDI, HDMI Video Monitor, 4RU



12bit 4K dual 10" rack-mountable video monitor with on-screen audio level meters, video vectorscope, waveform, histogram and more.

The vMON-4210-4K is a fully featured in-rack video monitor ideal for mobile trucks, news and transmission control rooms, production/post-production and video surveillance applications. These tilting monitors come standard with in-monitor level metering, selectable video vectorscope/histogram, safe area and aspect ratio markers, IMD labeling and tally.



As well as including a HDMI Level 2 input, all the standard frame rates and resolutions are supported 12G/6G/3G-SDI. The 12G-SDI input signal is Auto-detected and compatible with 6G/3G/HD/SD-SDI. Up to 16 audio channels may be selected for visual monitoring using on-screen bar graph style level meters. Monitoring speakers to the rear of the unit allow the selected screen to be audibly monitored, while a 3.5mm headphone socket provides optional private monitoring.

Each of the high-resolution LCD screens displays high-definition or standard-definition video in a range of aspect ratios. Parameters are selected and adjusted using an on-screen display menu.

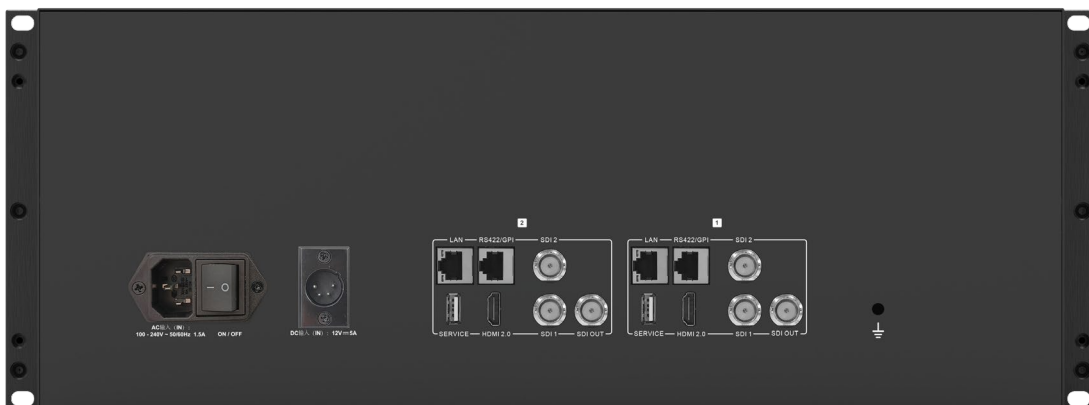
### Features/Benefits:

- On-screen level meters up to 16 channels provide confidence audio monitoring
- Tally and on-screen labeling provide quick and easy signal identification
- Image controls allow video image enhancement for each screen, individually
- On-screen video vectorscope and histogram displays
- Ratio and Safe Area markers
- Built-in color bars
- Intuitive on-screen menu
- Headphone output
- Client/Server GUI network control, ideal for configuring difficult to reach wall-mounted monitors.
- Available option for Closed Caption support

Order Part Number:

vMON-4210-4K **8006-0270**

Rear Panel

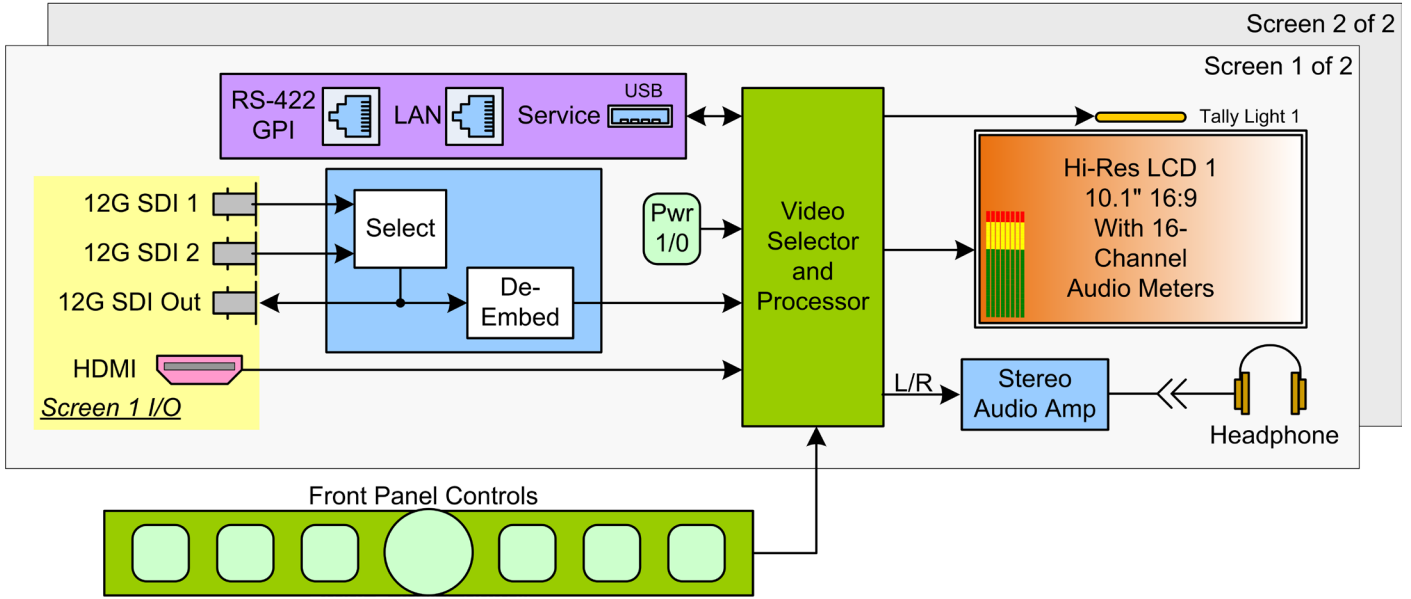


# v MON-4210-4K

Dual 10.1" 12G/6G/3G/HD/SD-SDI, HDMI Video Monitor, 4RU



## Block Diagram



## Specifications

Specifications	
<b>Video Inputs (per screen):</b>	2 x auto-sensing 12G/6G/3G/HD/SD-SDI on BNCs, 1 x HDMI Type 2. 1 x RJ45 Ethernet Connection Jack, 1 x GPI Control Jack
<b>Video Outputs (per screen)</b>	1 x 12G SDI on BNC
<b>Audio Inputs (per screen)</b>	8 channels SDI Embedded Audio
<b>Supported formats</b>	DCI4K , UHD4K , DCI2K , FHD , HD , 576P50 , 480P60
<b>Screen Size / Display Area</b>	10.1" diagonal per screen.
<b>Video Display Resolutions</b>	1920 x 1200
<b>Luminance</b>	450 cd/m <sup>2</sup>
<b>Contrast</b>	1000:1
<b>Viewing angle</b>	160° (H) /160°(V)
<b>Color Depth</b>	16.7 million
<b>OSD Audio Meters</b>	2-16 channels for each display window (source dependent)
<b>I/P voltage &amp; Power consumption</b>	AC 100-240v 50/60Hz, DC 12V. Power Consumption 37W
<b>Dimensions (W x H x D), Weight</b>	19" x 8" x 7" weight:10 lbs. Shipping weights & dims: 23"x 10"x 13" weight: 14 lbs.

Specifications subject to change, errors and omissions excepted  
 All trademarks, product names and images are the property of their respective owners  
 Any rights not expressly granted herein are reserved.  
 Rev: September 14<sup>th</sup> 2024